

04 BARBECUE AND KITCHEN

TIBERIO	pag. 4
NERONE	pag. 10
AUGUSTO	pag. 14
BANCO	pag. 16
BUFFET	pag. 20
PORTALEGNA	pag. 22
PANCO	pag. 24

CREATE YOUR PROJECT	pag. 26
DATA SHEET	pag. 30
COLORS	pag. 46



01

TIBERIO




01 - TIBERIO



01 - TIBERIO





 modularte

01 - TIBERIO EXTENSION

01 - TIBERIO EXTENSION



01 - TIBERIO EXTENSION





02

NERONE

02 - NERONE



03

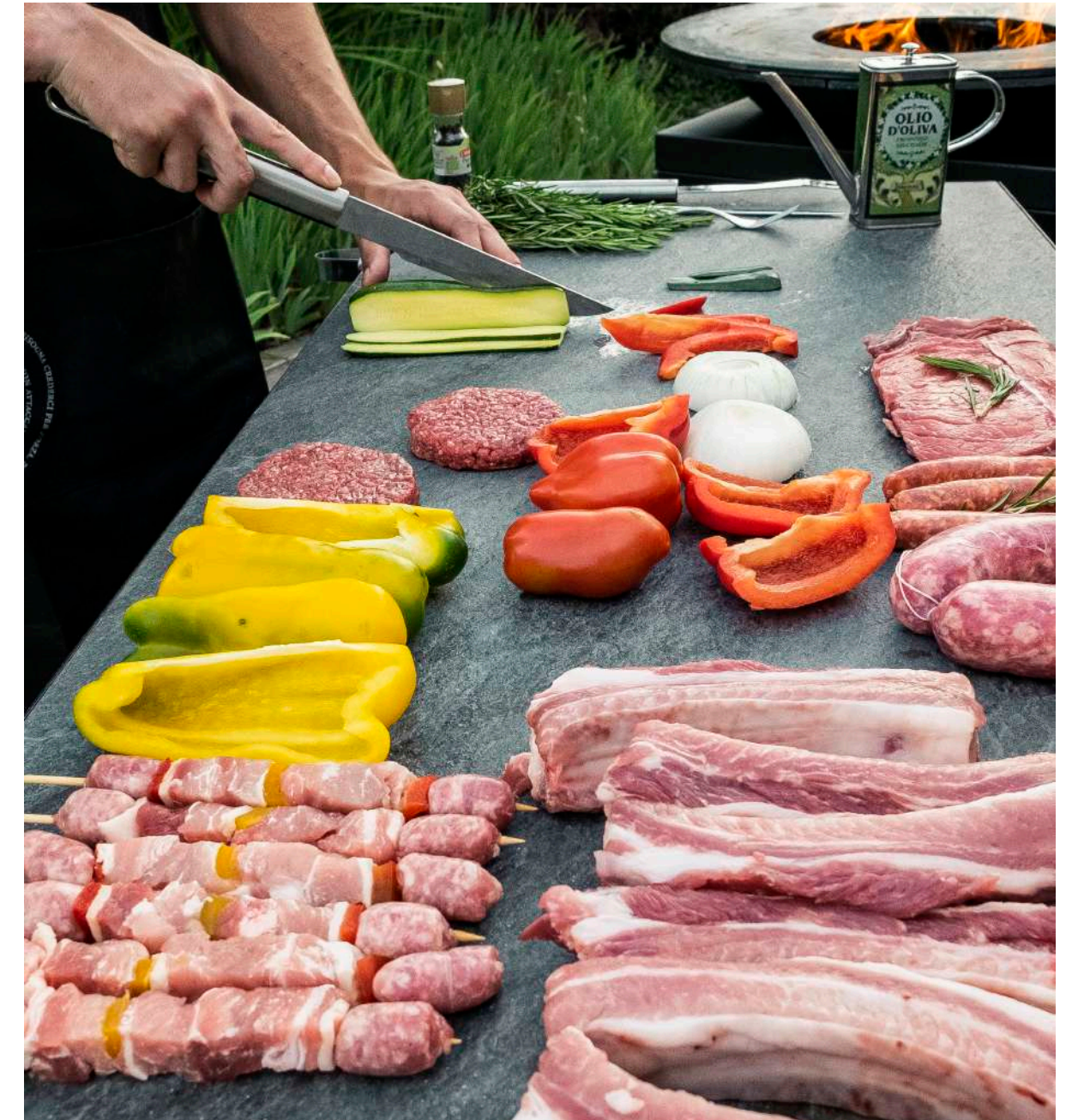
AUGUSTO



04

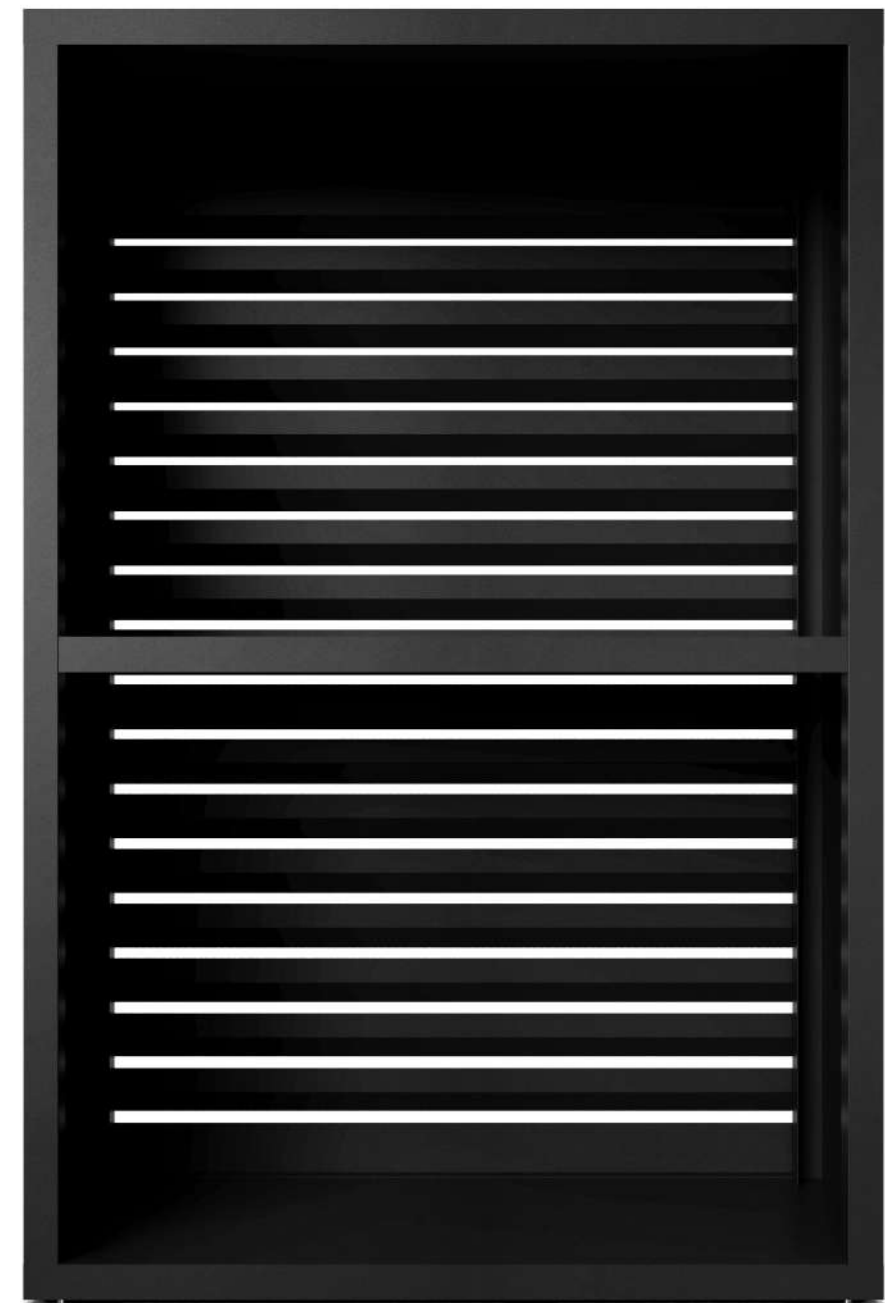
BANCO





05

BUFFET

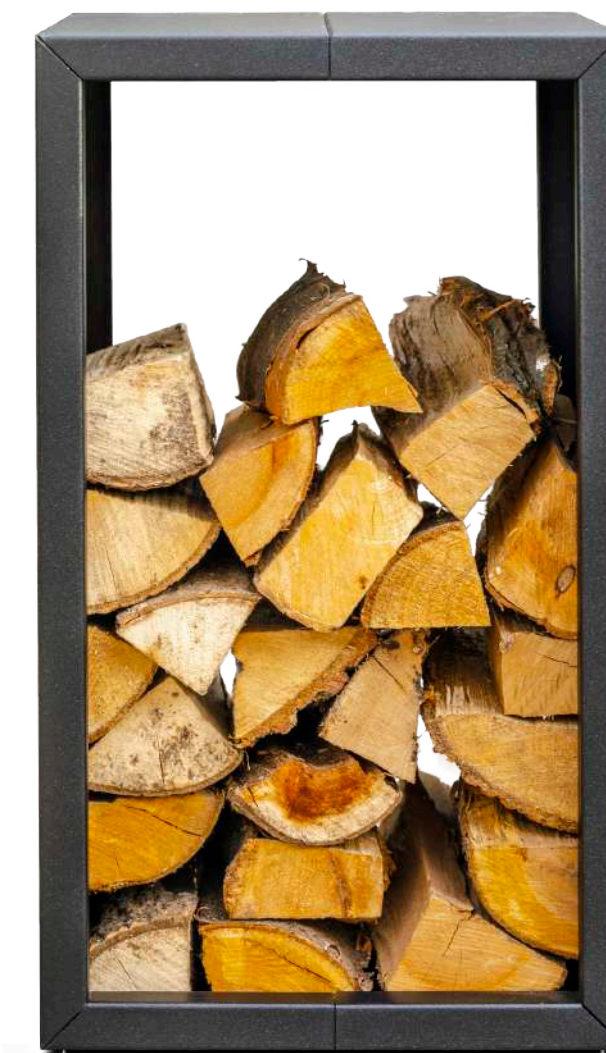


HOLDER

06 - HOLDER
80



06 - HOLDER
70





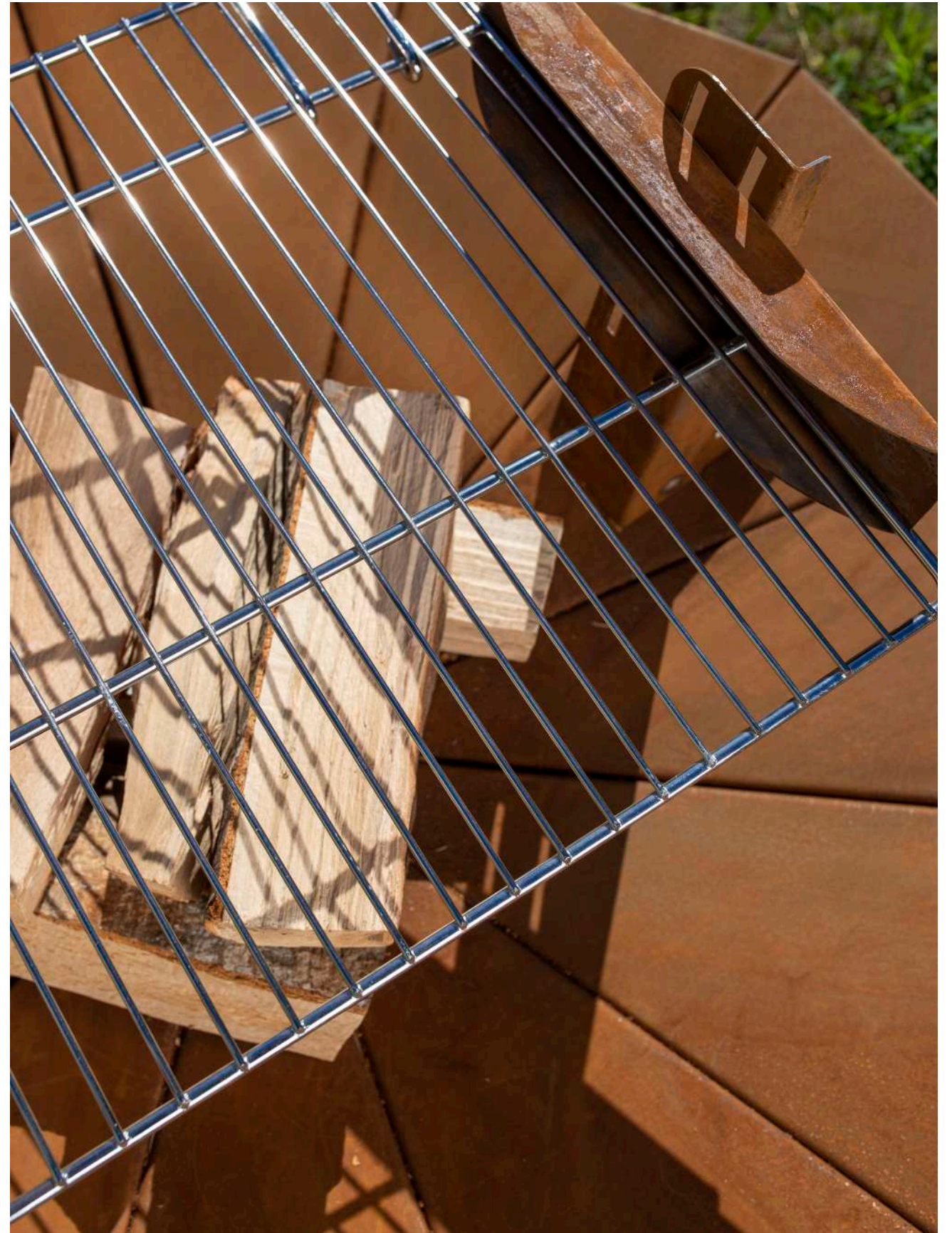
07

PANCO

FABIA



08 - FABIA



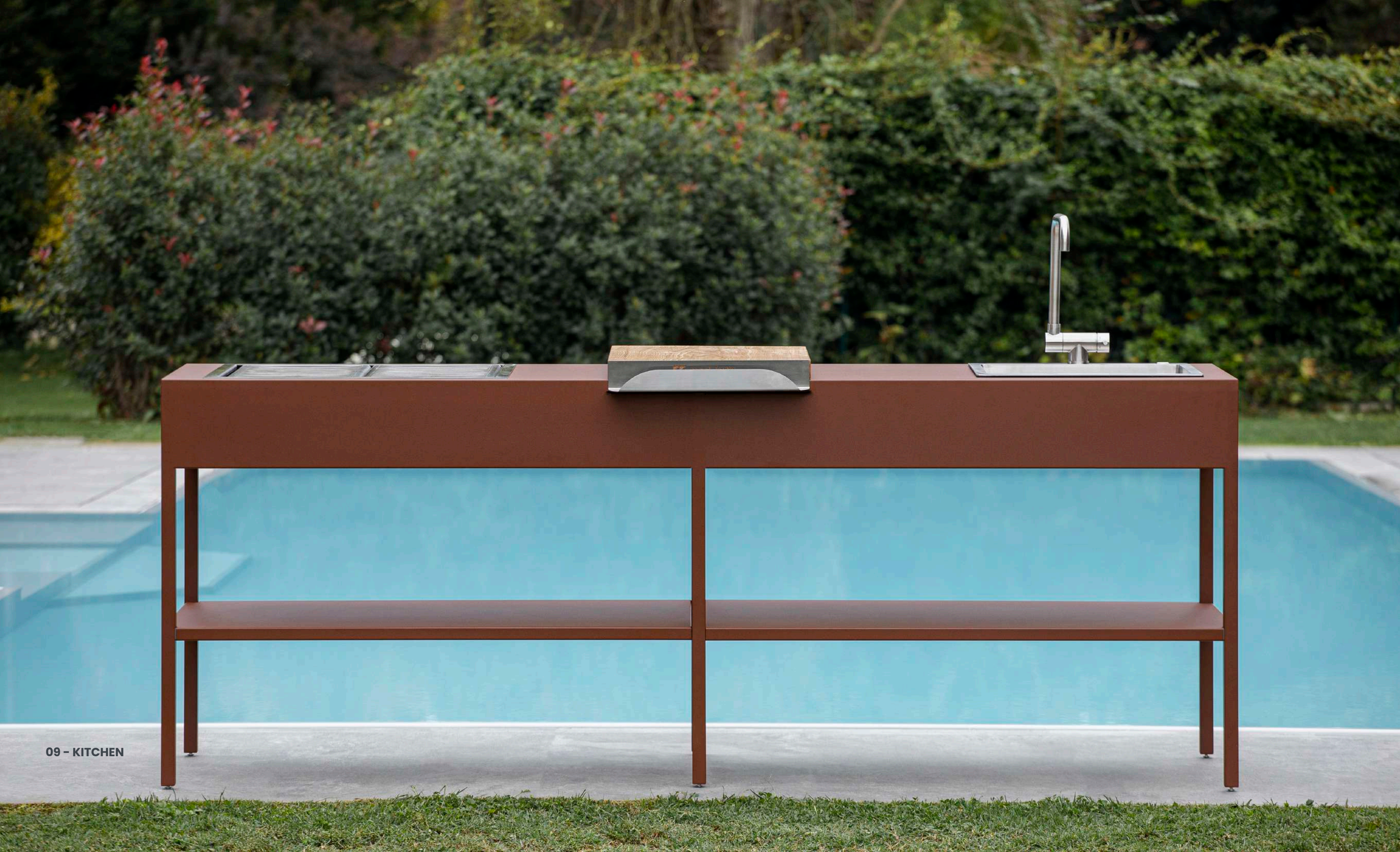


09 - KITCHEN





09 - KITCHEN



09 - KITCHEN



09 - KITCHEN



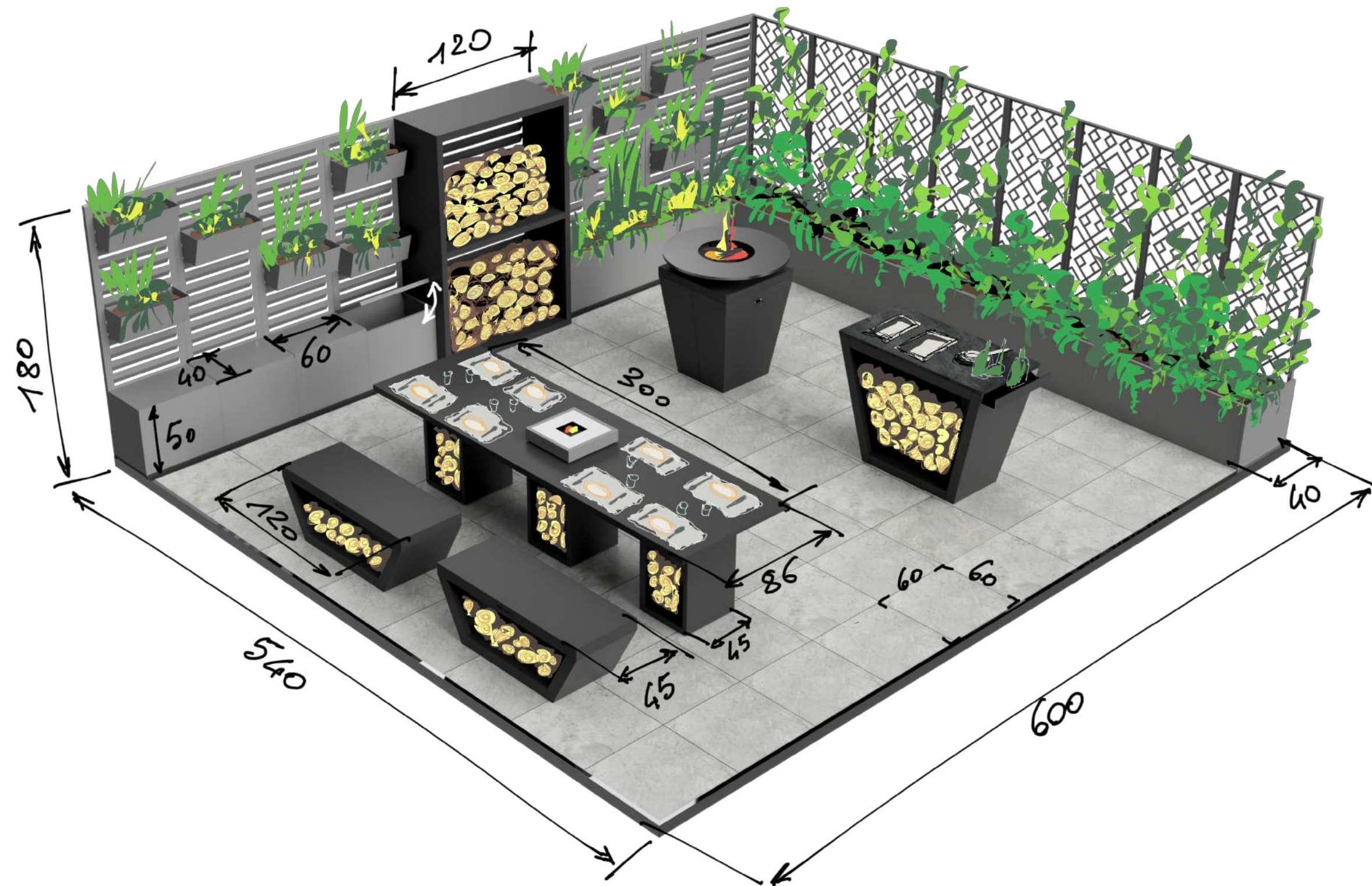


09 - KITCHEN

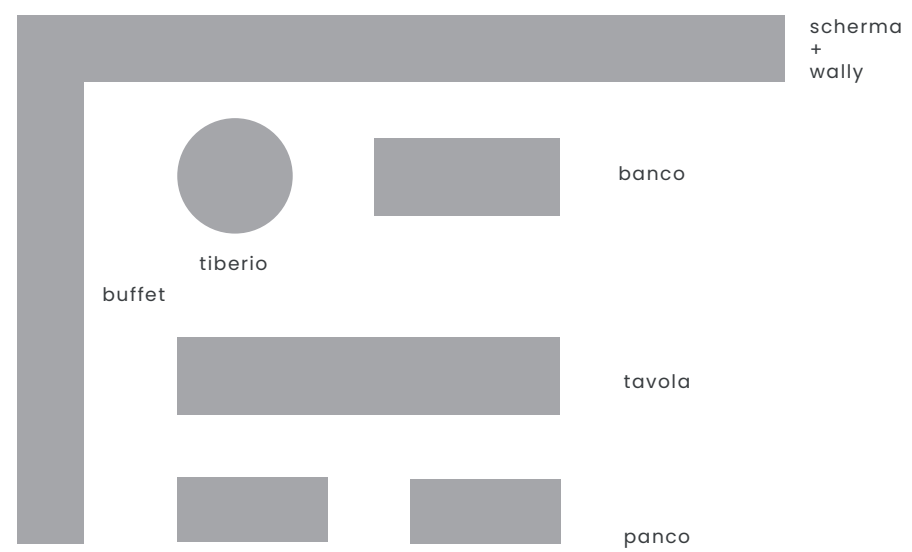
09 - KITCHEN



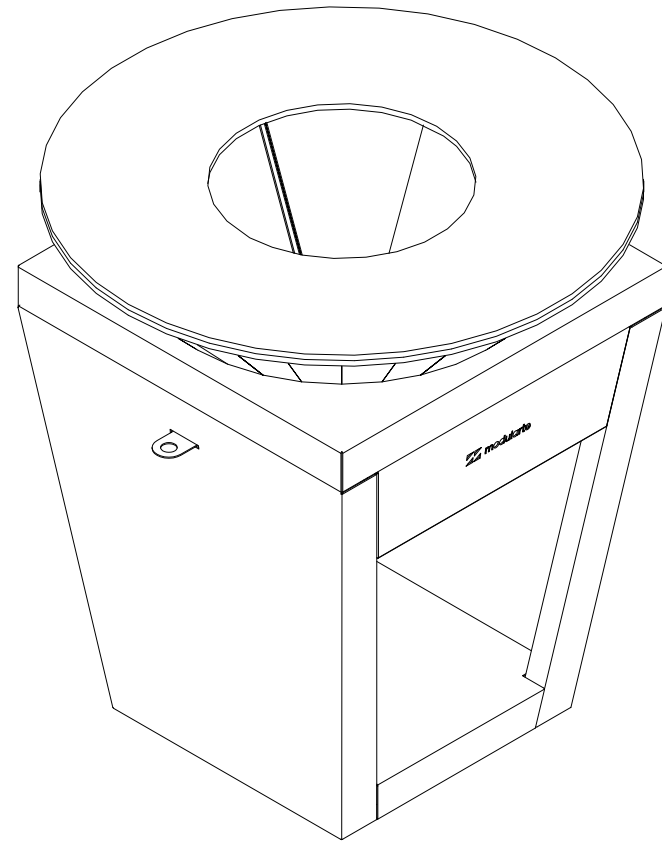
CREATE YOUR COMPOSITION



02



TIBERIO

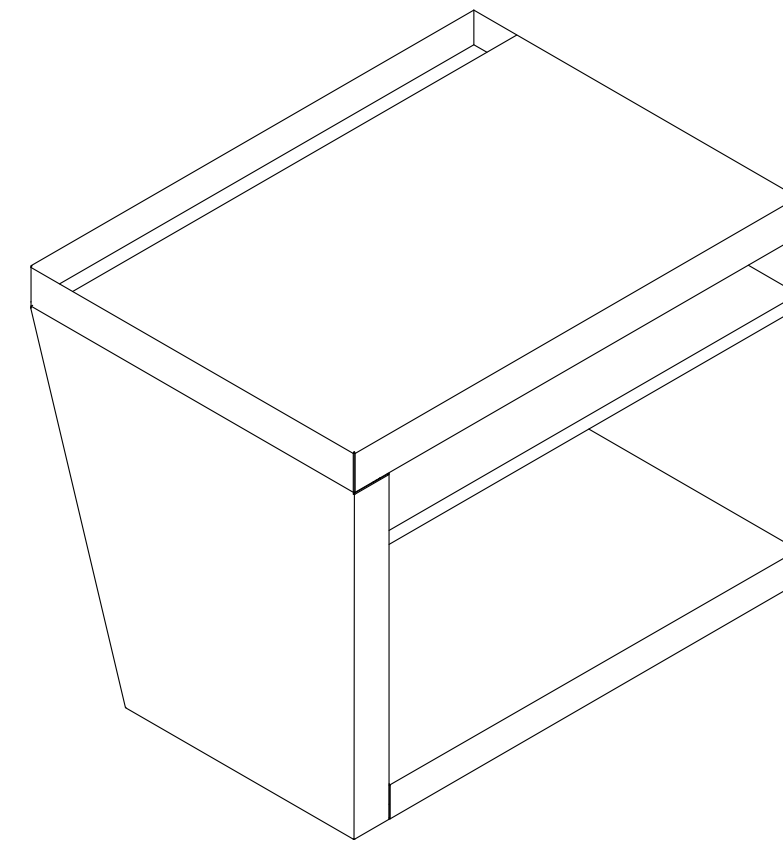


407-S-001	plate	Ø 90 cm	top base	68x68 cm
	hole of plate	Ø 40 cm	bottom base	46x46 cm
	thickness of plate	1 cm	base height	83 cm
	weight	110 kg	total height	95 cm

Included	1-403B-002	ash tray	1-403Z-004	air flow	
	Optional	1-410C-001	combi base	1-410U-004	combi hook
		1-410U-001	combi grill	425-S-001	abs cover
		1-410U-002	combi woak	425-S-004	full cover
		1-410U-003	combi skewers	1-402M-007	cooking board
425-S-006	spatula	425-S-007	wood		

Material	001	galvanized steel
	004	cor-ten steel

EXTENSION

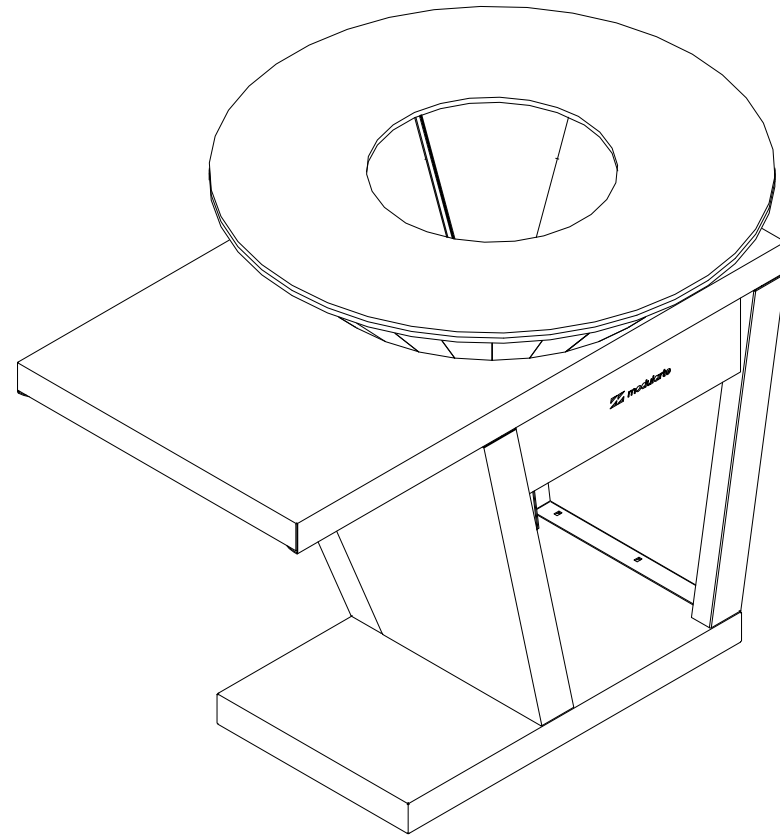


403-S-003	top base	120x68 cm	hole tools	120x8 cm
	bottom base	120x48 cm		
			height	80 cm
	weight	95 kg		

Included **gres choice in modularte catalog**

Material	001	galvanized steel
	004	cor-ten steel

NERONE



403-S-003	plate	Ø 90 cm	top base	110x68 cm
	hole of plate	Ø 40 cm	bottom base	75x46 cm
	thickness of plate	1 cm	base height	83 cm
	weight	120 kg	total height	95 cm
Included	1-403B-002	ash tray	1-403Z-004	air flow
	Optional			
	1-410C-001	combi base	1-410U-004	combi hook
	1-410U-001	combi grill	425-S-001	abs cover
	1-410U-002	combi woak	425-S-004	full cover
	1-410U-003	combi skewers	1-402M-007	cooking board
	425-S-006	spatula	425-S-007	wood
Material	001	galvanized steel		
	004	cor-ten steel		

AIR FLOW

Reduced air flow



Increased air flow



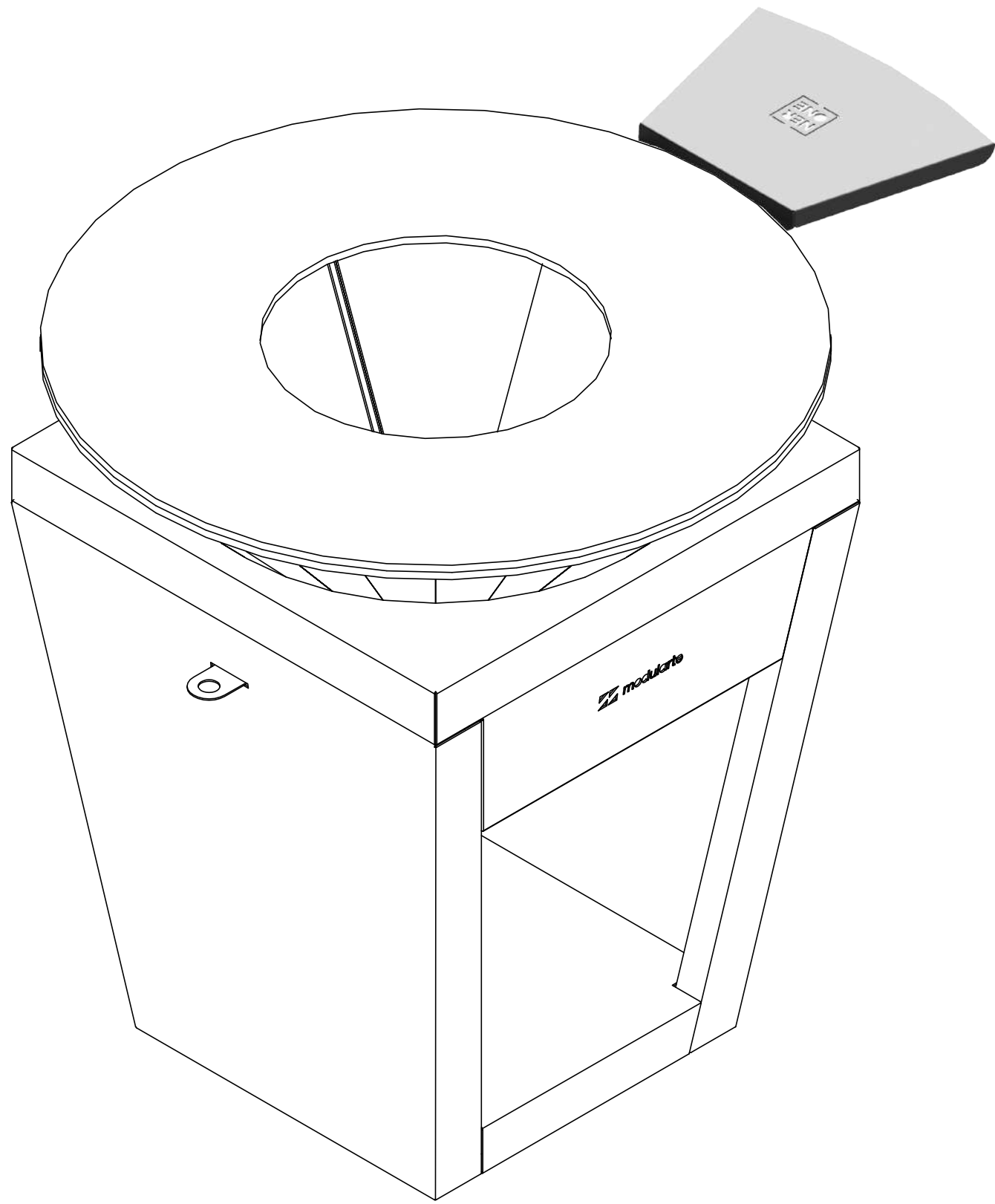
COOKING CHAMBER PROTECTION



Material	001	galvanized steel
	004	cor-ten steel

COOKING BOARD

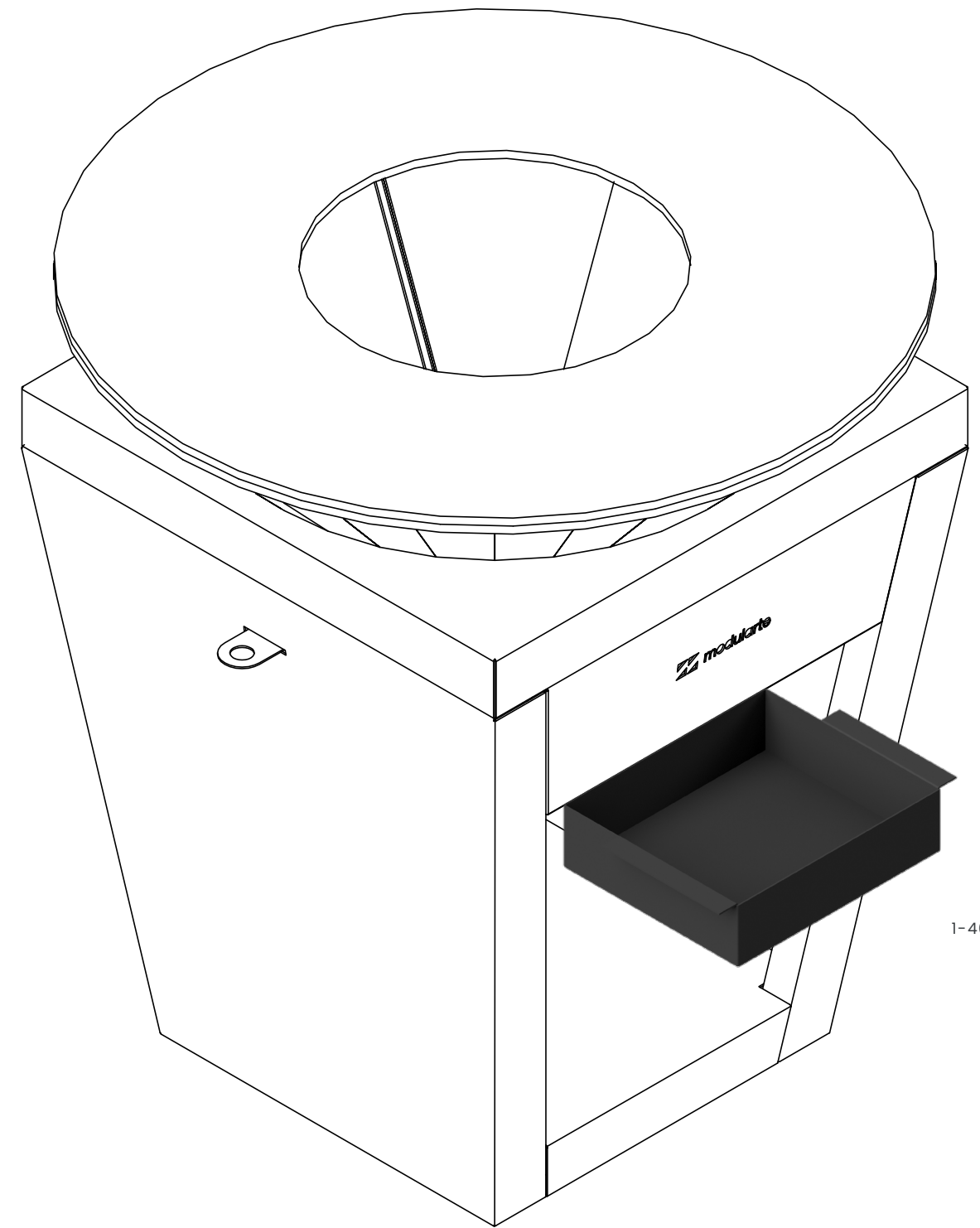
1-402M-007 **COOKING BOARD**



Material 001 stainless steel

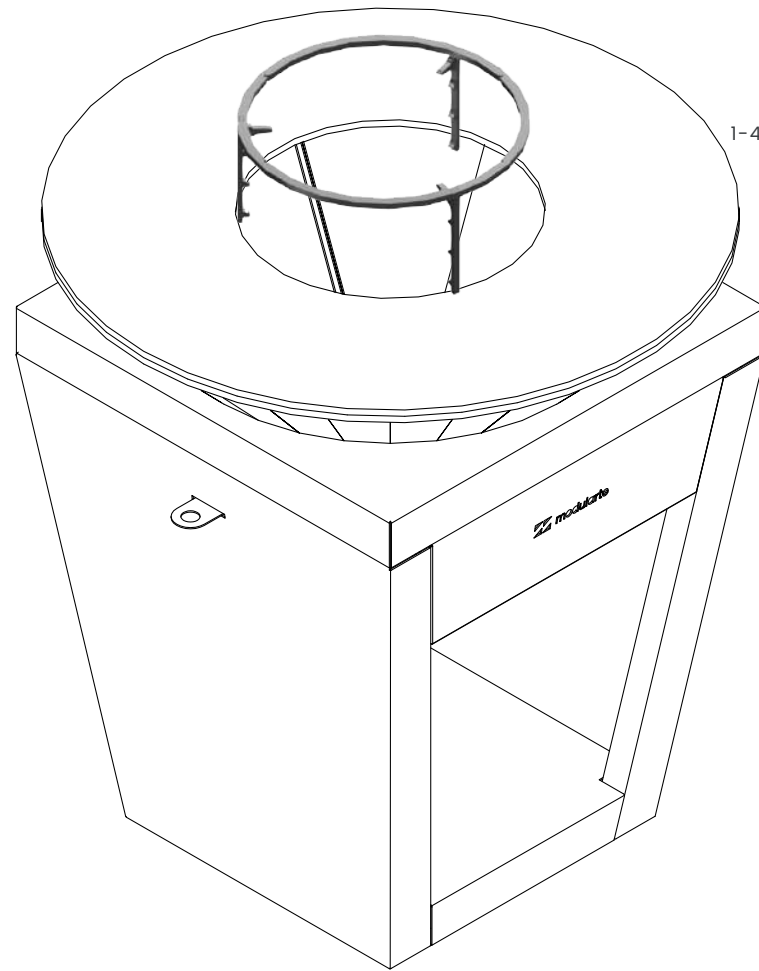
ASH TRAY

1-403B-002 **ASH TRAY**



Material 004 cor-ten steel

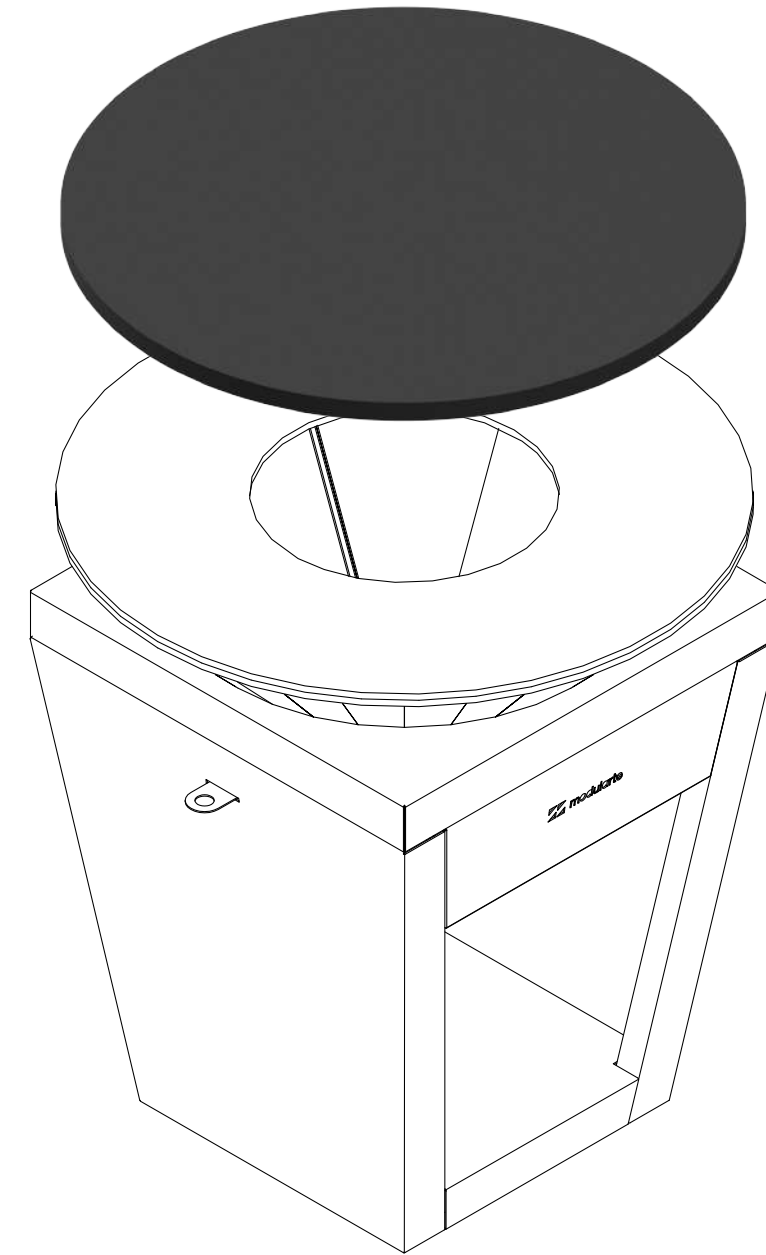
COMBI



Material 008
003

iron
stainless steel

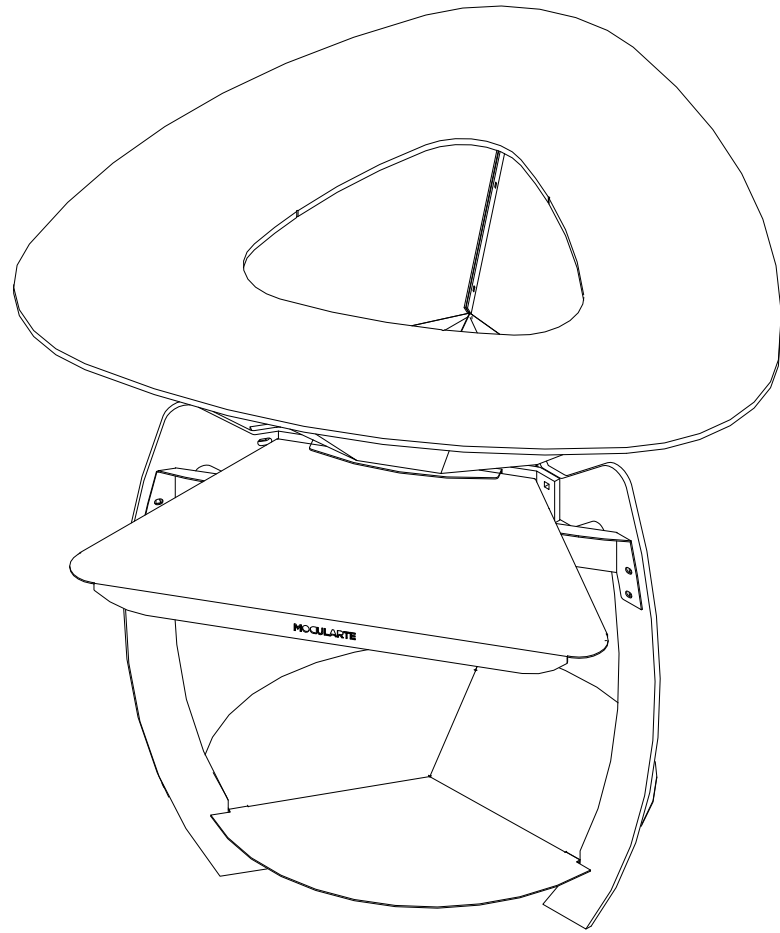
ABS COVER



Material 009

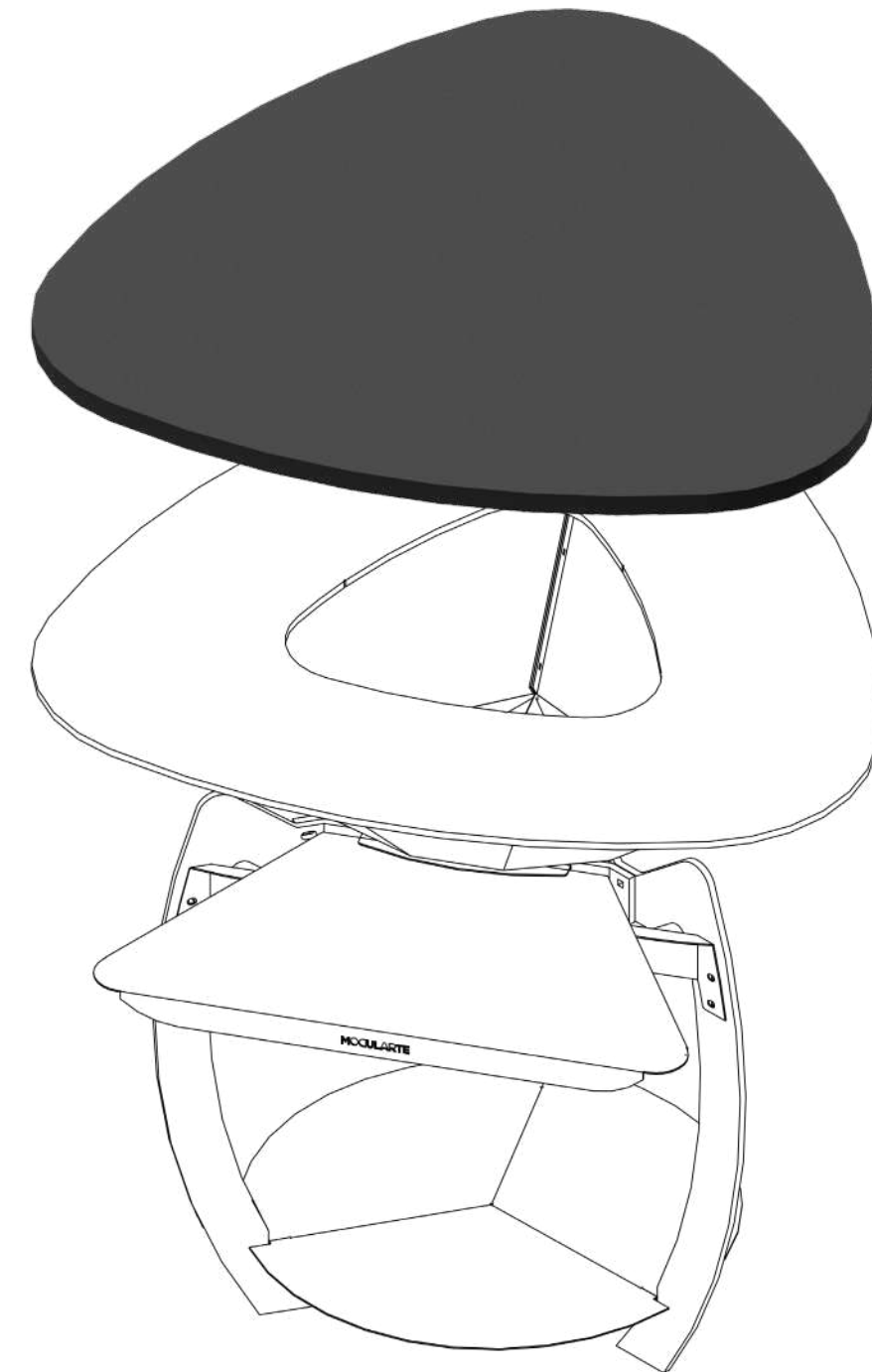
abs

AUGUSTO



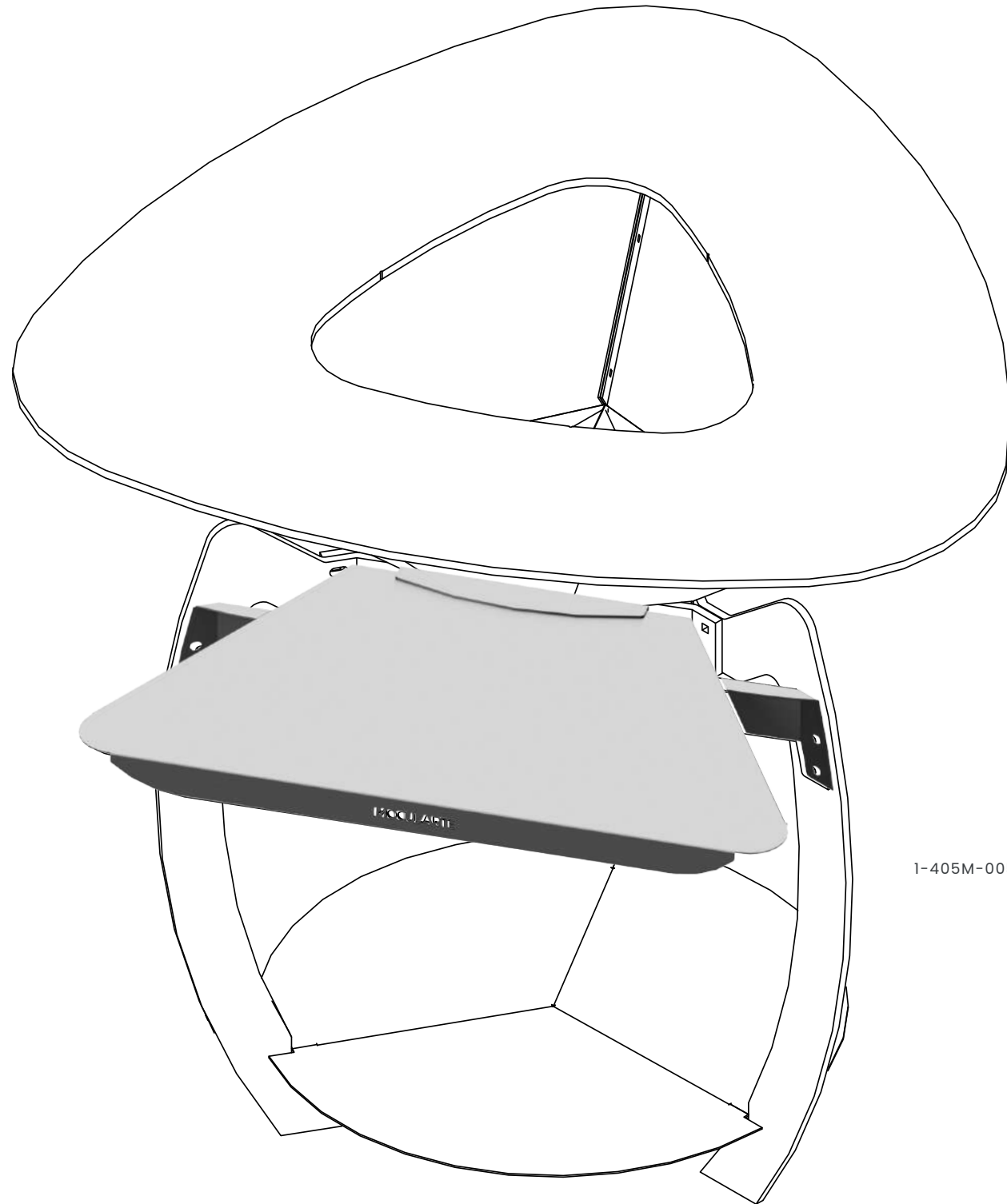
405-S-003	plate	Δ 100x100x100 cm	bottom base	53x53 cm
	hole of plate	Δ 45x45x45 cm	base height	70 cm
	thickness of plate	1 cm	total height	100 cm
	weight	80 kg		
Optional	1-410C-001	combi base	1-410U-004	combi hook
	1-410U-001	combi grill	425-S-001	abs cover
	1-410U-002	combi woak	425-S-004	full cover
	1-410U-003	combi skewers	1-405M-005	cooking board
	425-S-006	spatula	425-S-007	wood
Material	001	galvanized steel		
	004	cor-ten steel		

ABS COVER



Material	009	abs
-----------------	-----	------------

TABLE TOP



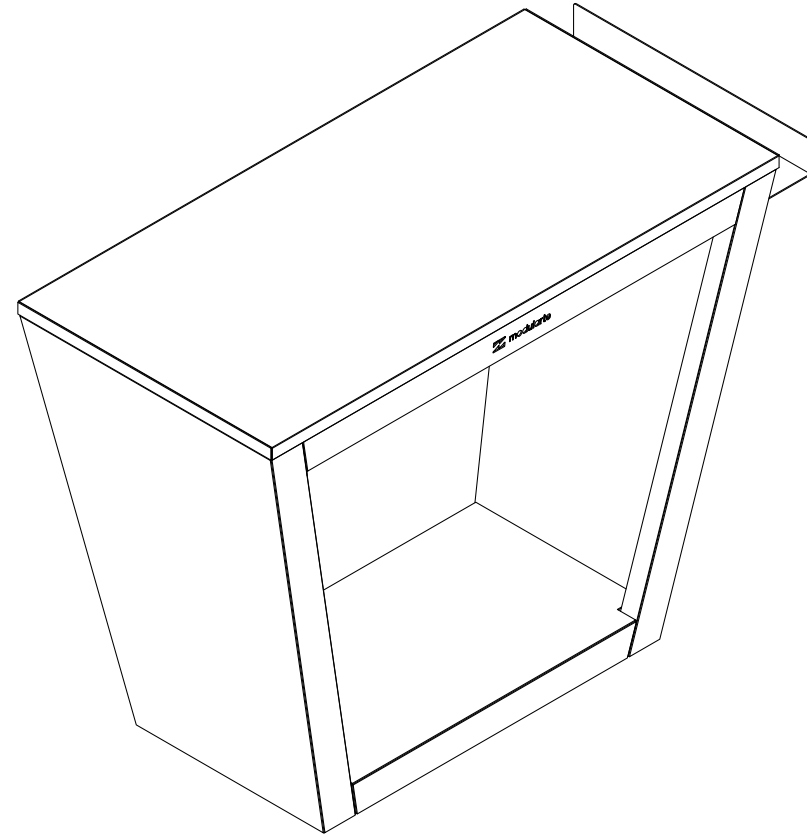
1-405M-005 TABLE TOP

Material

001

stainless steel

BANCO



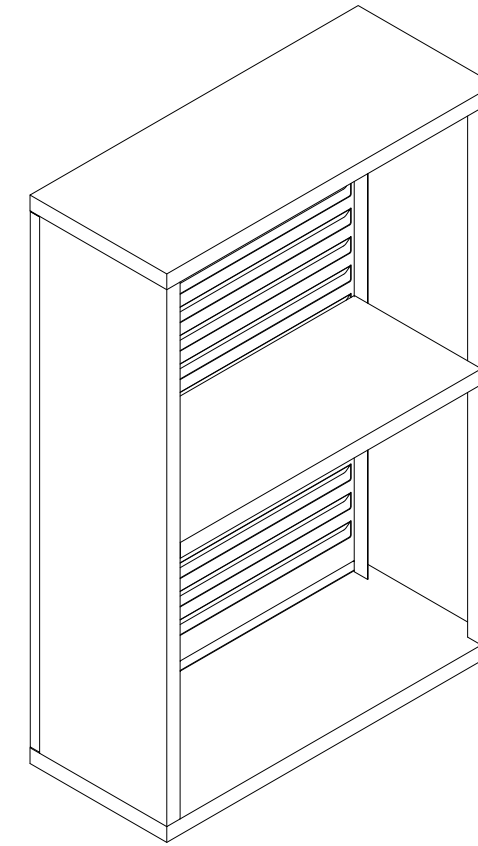
409-S-001	top base	120x60 cm	weight	90 kg
	bottom base	80x45 cm	height	93 cm

Included 1-403B-002 **gres**

Optional 425-S-007 **wood** 1-409V-001 **tool tray**

Material 001 **galvanized steel**
004 **cor-ten steel**

BUFFET

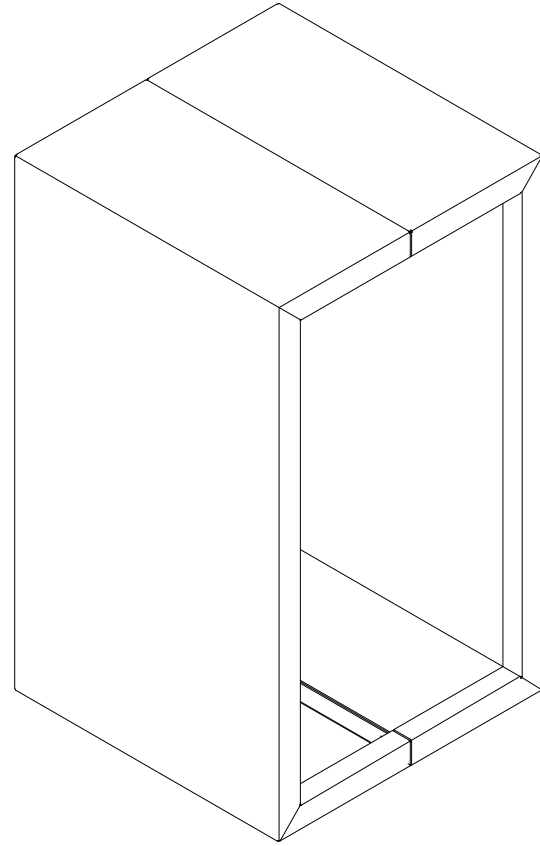


415-S-001	dimension	120x50 cm	middle height	90 cm
	weight	60 kg	total height	180 cm

Optional 425-S-007 **wood**

Material 001 **galvanized steel**
004 **cor-ten steel**

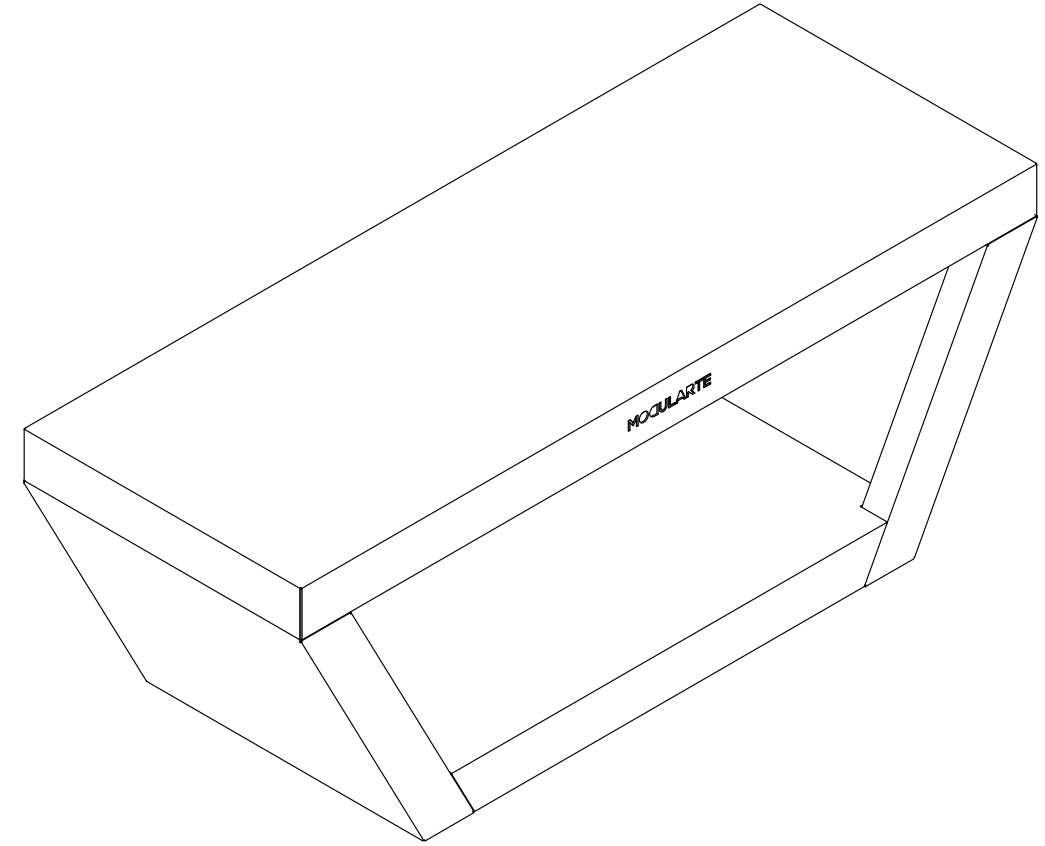
HOLDER



409-S-002	dimensions	40x40 cm	weight	14 kg
	height	70 cm		
409-S-003	dimensions	40x40 cm	weight	16 kg
	height	80 cm		
Optional	425-S-007	wood		

Material	001	galvanized steel
	004	cor-ten steel

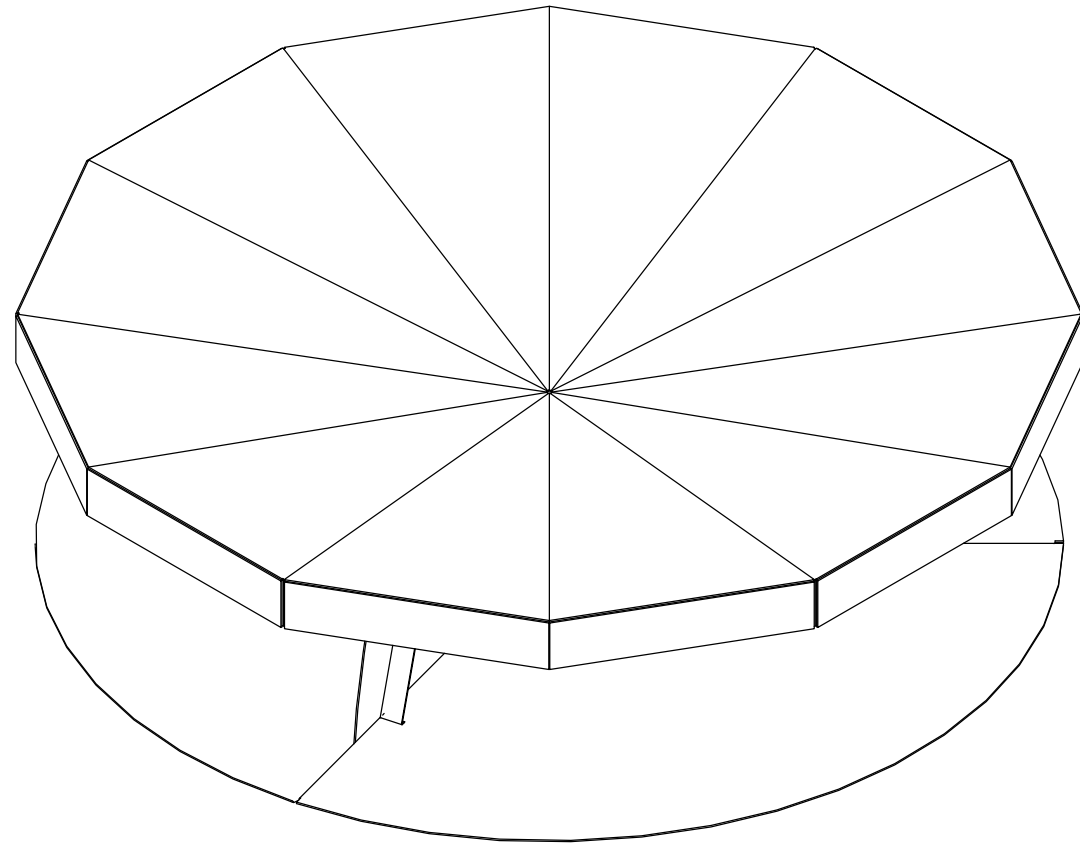
PANCO



420-S-001	top base	120x45 cm	height	45 cm
	bottom base	80x45 cm		
Optional	425-S-007	wood	weight	22 kg

Material	001	galvanized steel
	004	cor-ten steel

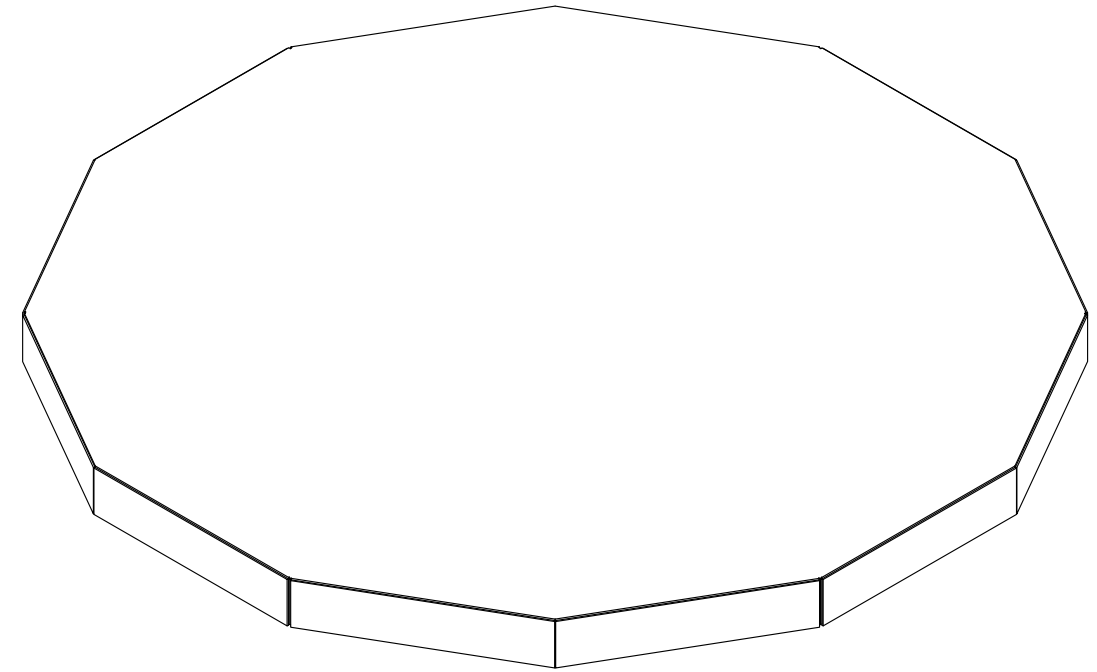
FABIA



409-S-002	dimensions	Ø 100 cm	weight	44 kg
	height	38 cm		
409-S-003	dimensions	130 cm	weight	130 kg
	height	38 cm		
Optional	425-S-007	grill		

Material	001	galvanized steel
	004	cor-ten steel

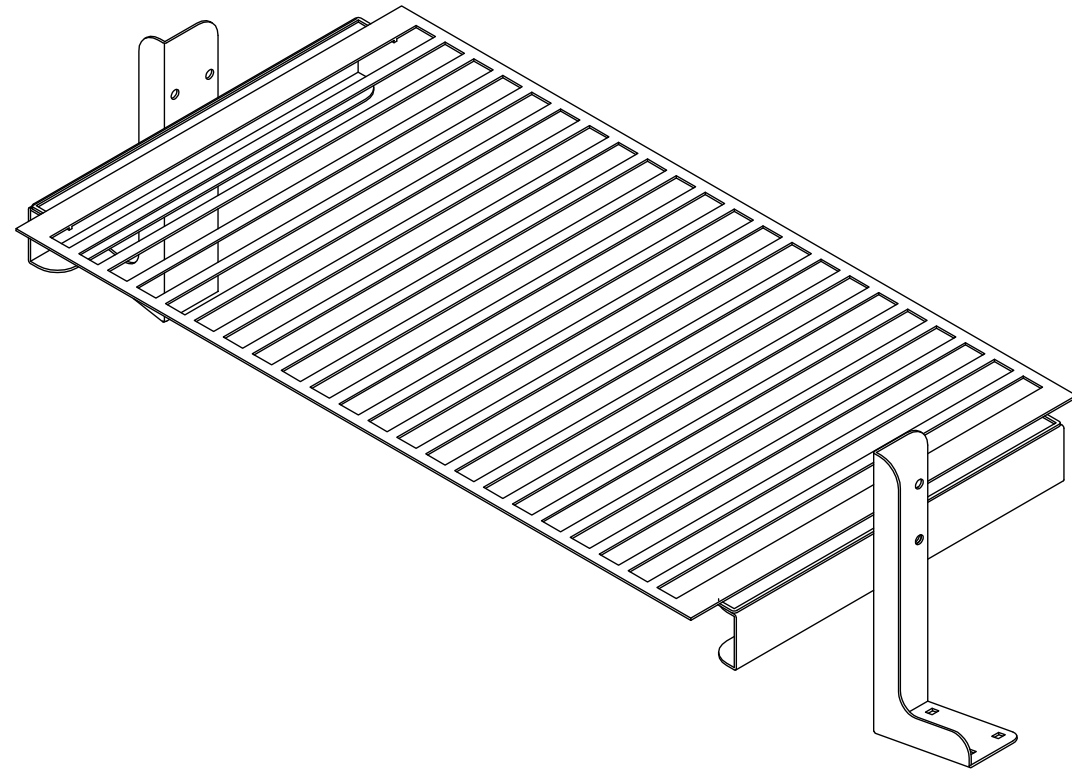
COVER TABLE



420-S-001	cover table	Ø 100 cm	height	7 cm
420-S-001	cover table	Ø 130 cm	height	7 cm

Material	001	galvanized steel
	004	cor-ten steel

GRILL

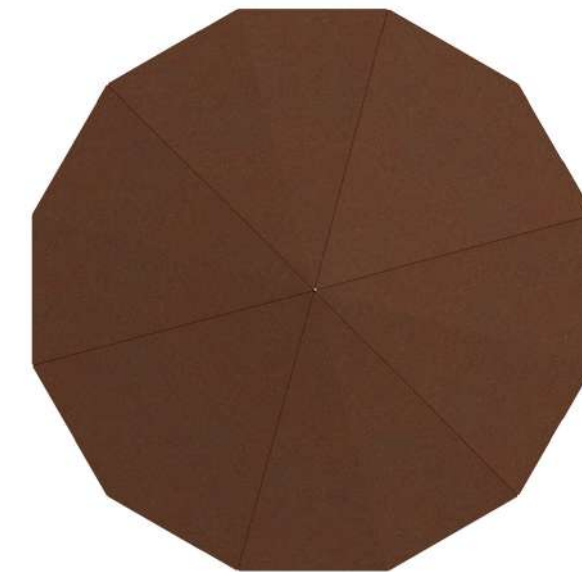


DIAMETER OPTIONS

Ø 130 cm



Ø 100 cm



409-S-002 dimensions **40x40 cm** weight **14 kg**

height **70 cm**

409-S-003 dimensions **40x40 cm** weight **16 kg**

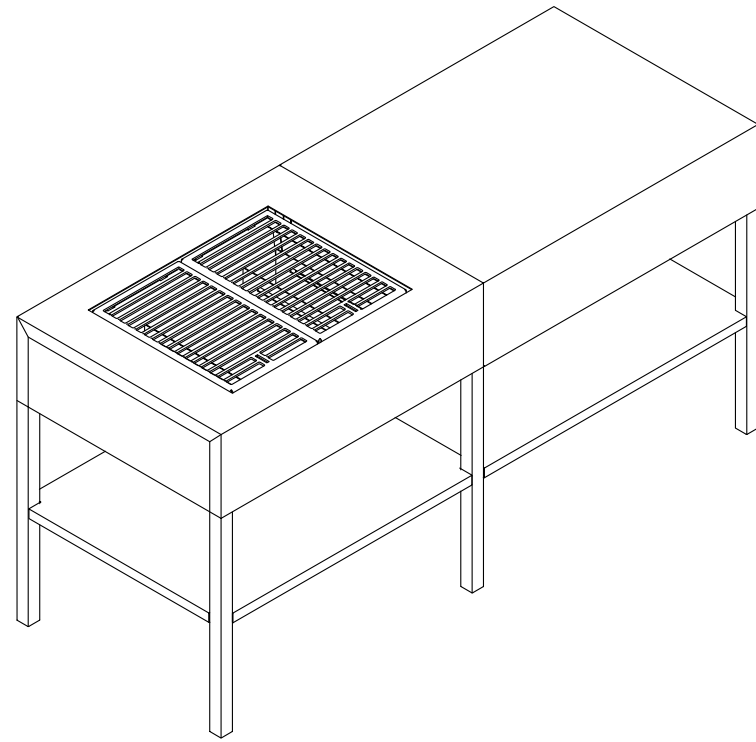
height **80 cm**

Optional 425-S-007 **wood**

Material 001 **galvanized steel**

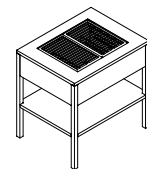
004 **cor-ten steel**

KITCHEN EXAMPLES

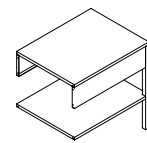


MODULE USED

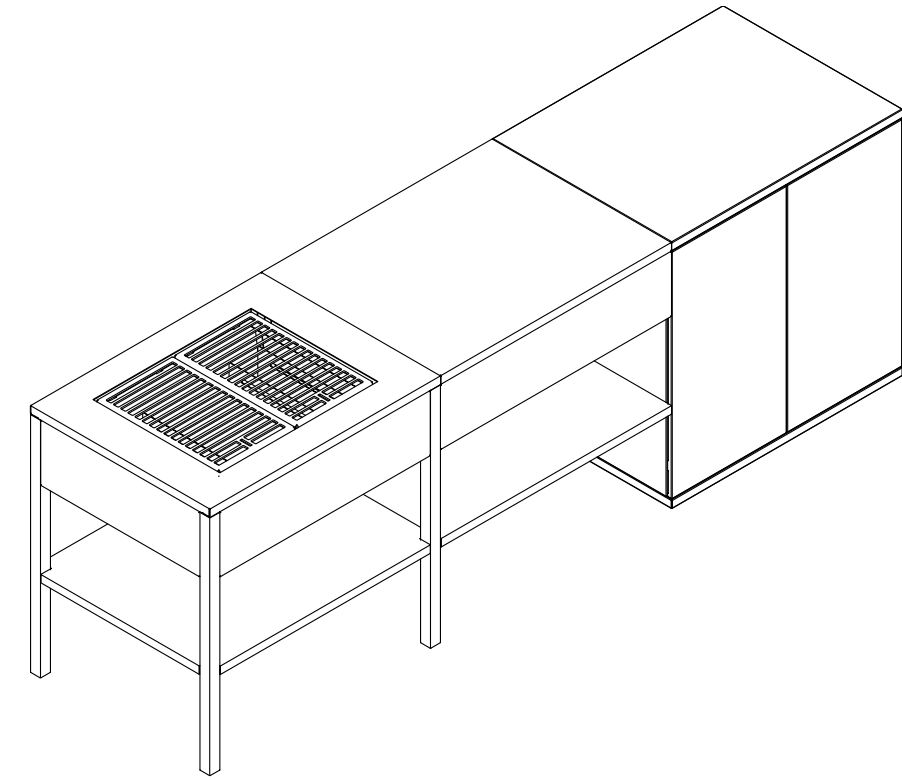
460-S-001 dimensions **90x70 cm**
 height **90 cm**
 weight **33 kg**



460-S-003 dimensions **90x70 cm**
 height **90 cm**
 weight **30 kg**

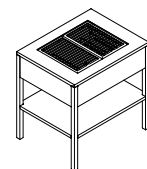


KITCHEN EXAMPLES

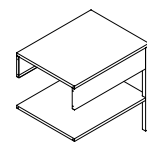


MODULE USED

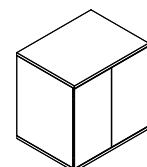
460-S-001 dimensions **90x70 cm**
 height **90 cm**
 weight **33 kg**



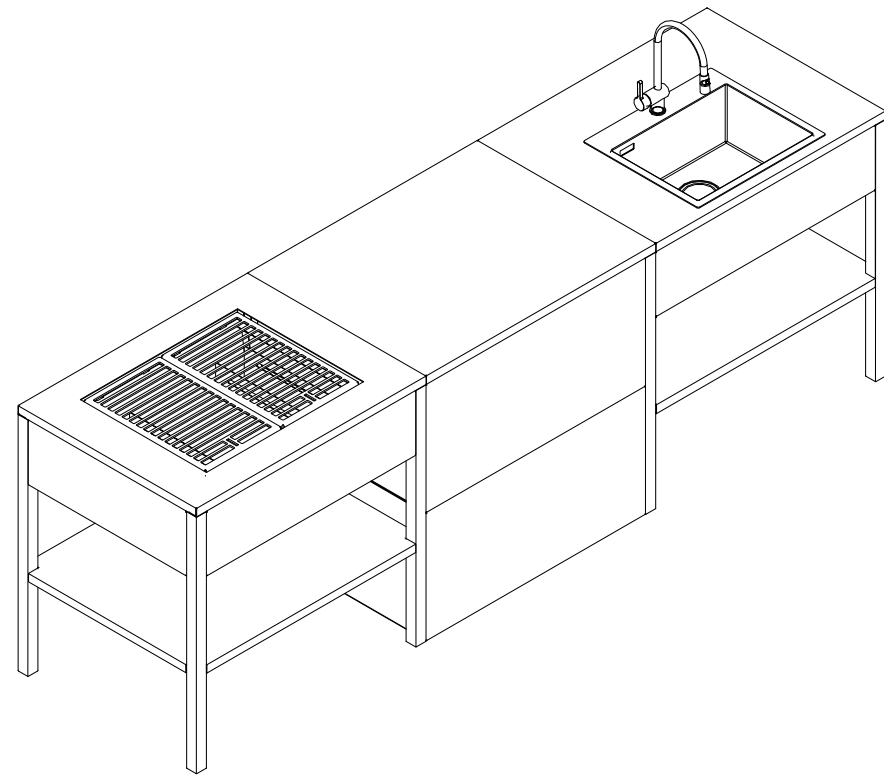
460-S-003 dimensions **90x70 cm**
 height **90 cm**
 weight **30 kg**



460-S-013 dimensions **90x70 cm** **120x70 cm**
 height **90 cm** **90 cm**
 weight **62 kg** **62 kg**

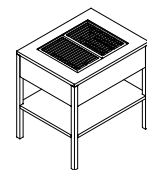


KITCHEN EXAMPLES

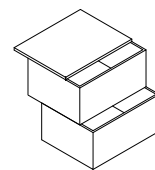


MODULE USED

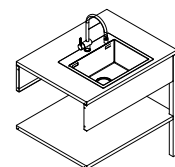
460-S-001 dimensions **90x70 cm**
 height **90 cm**
 weight **33 kg**



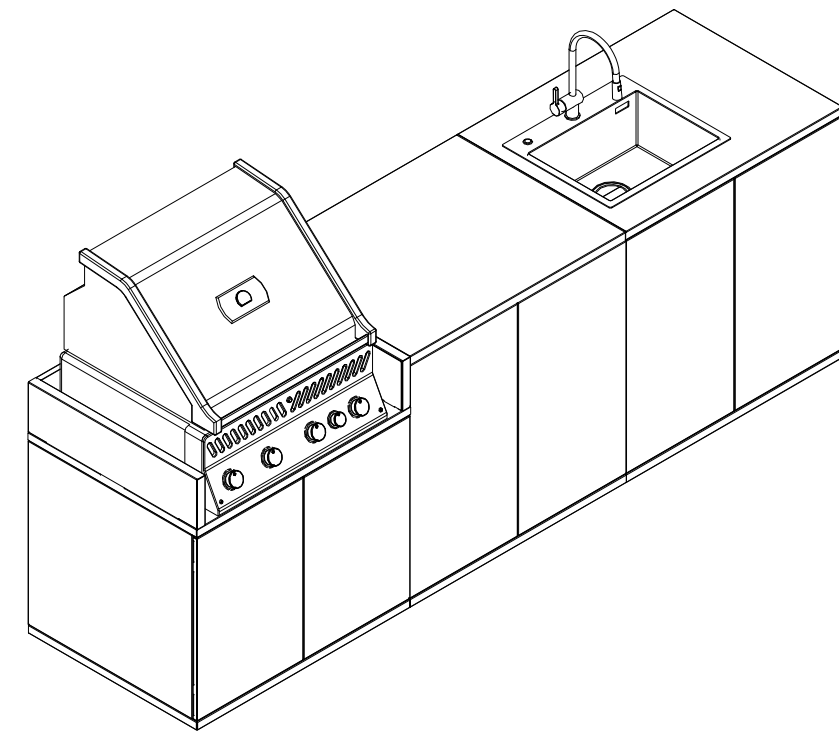
460-S-017 dimensions **70x70 cm**
 height **90 cm**
 weight **50 kg**



460-S-002 dimensions **90x70 cm**
 height **90 cm**
 weight **30 kg**

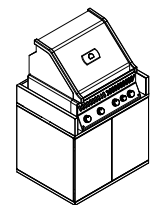


KITCHEN EXAMPLES

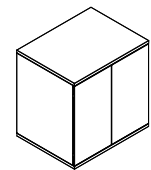


MODULE USED

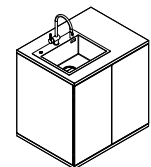
460-S-015 dimensions **90x70 cm**
 height **90 cm**
 weight **60 kg**



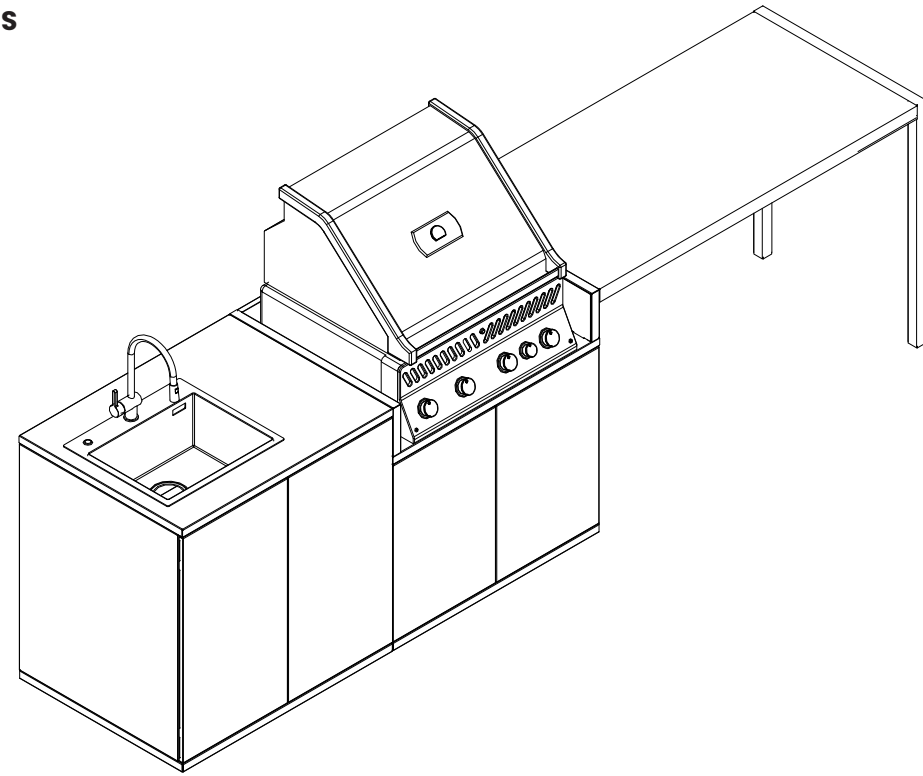
460-S-013 dimensions **90x70 cm** **120x70 cm**
 height **90 cm** **90 cm**
 weight **60 kg** **82 kg**



460-S-014 dimensions **90x70 cm**
 height **90 cm**
 weight **60 kg**

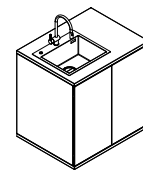


KITCHEN EXAMPLES

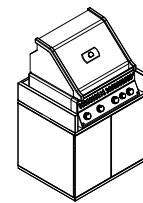


MODULE USED

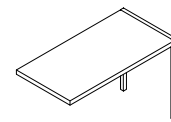
460-S-014 dimensions **90x70 cm**
 height **90 cm**
 weight **62 kg**



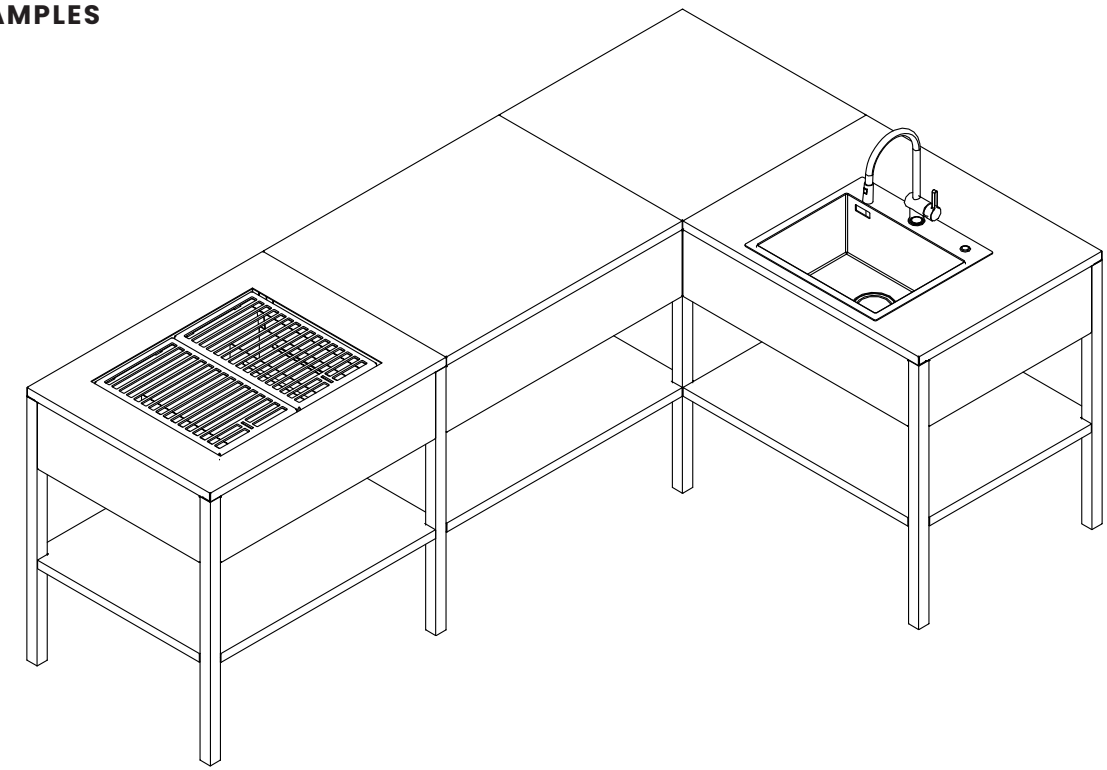
460-S-015 dimensions **90x70 cm**
 height **90 cm**
 weight **60 kg**



460-S-008 dimensions **140x70 cm**
 height **90 cm**
 weight **25 kg**

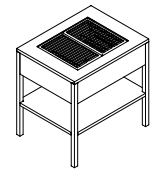


KITCHEN EXAMPLES

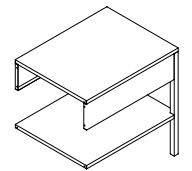


MODULE USED

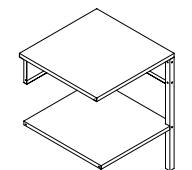
460-S-001 dimensions **90x70 cm**
 height **90 cm**
 weight **33 kg**



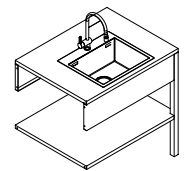
460-S-003 dimensions **90x70 cm**
 height **90 cm**
 weight **30 kg**



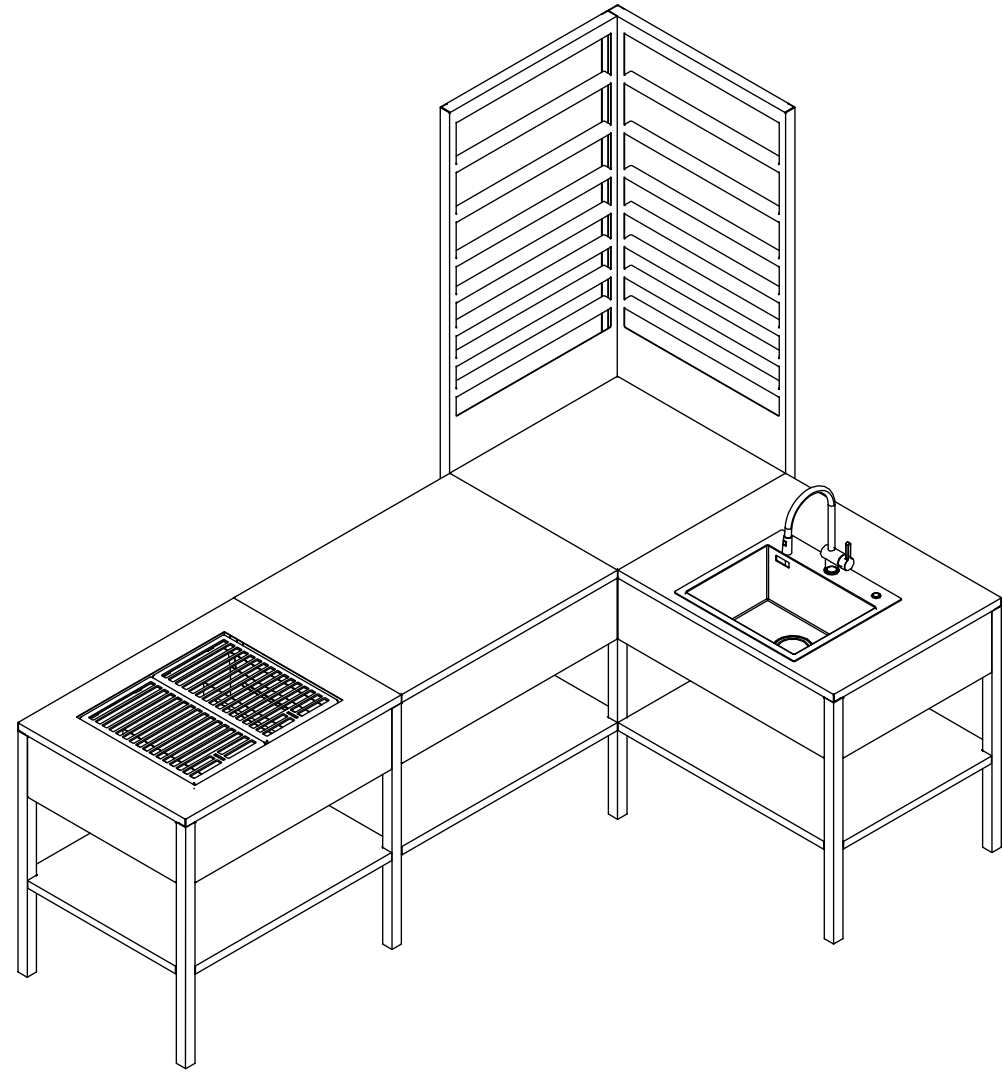
460-S-006 dimensions **70x70 cm**
 height **90 cm**
 weight **25 kg**



460-S-002 dimensions **90x70 cm**
 height **90 cm**
 weight **30 kg**

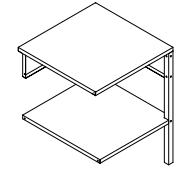


KITCHEN EXAMPLES



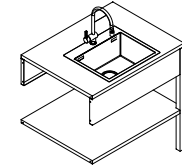
460-S-006

dimensions **70x70 cm**
 height **90 cm**
 weight **25 kg**



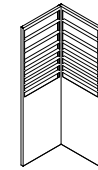
460-S-002

dimensions **90x70 cm**
 height **90 cm**
 weight **30 kg**



460-S-011

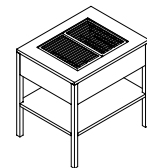
dimensions **70x74 cm**
 height **220 cm**
 weight **40 kg**



MODULE USED

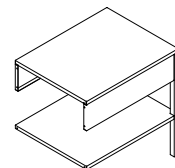
460-S-001

dimensions **90x70 cm**
 height **90 cm**
 weight **33 kg**

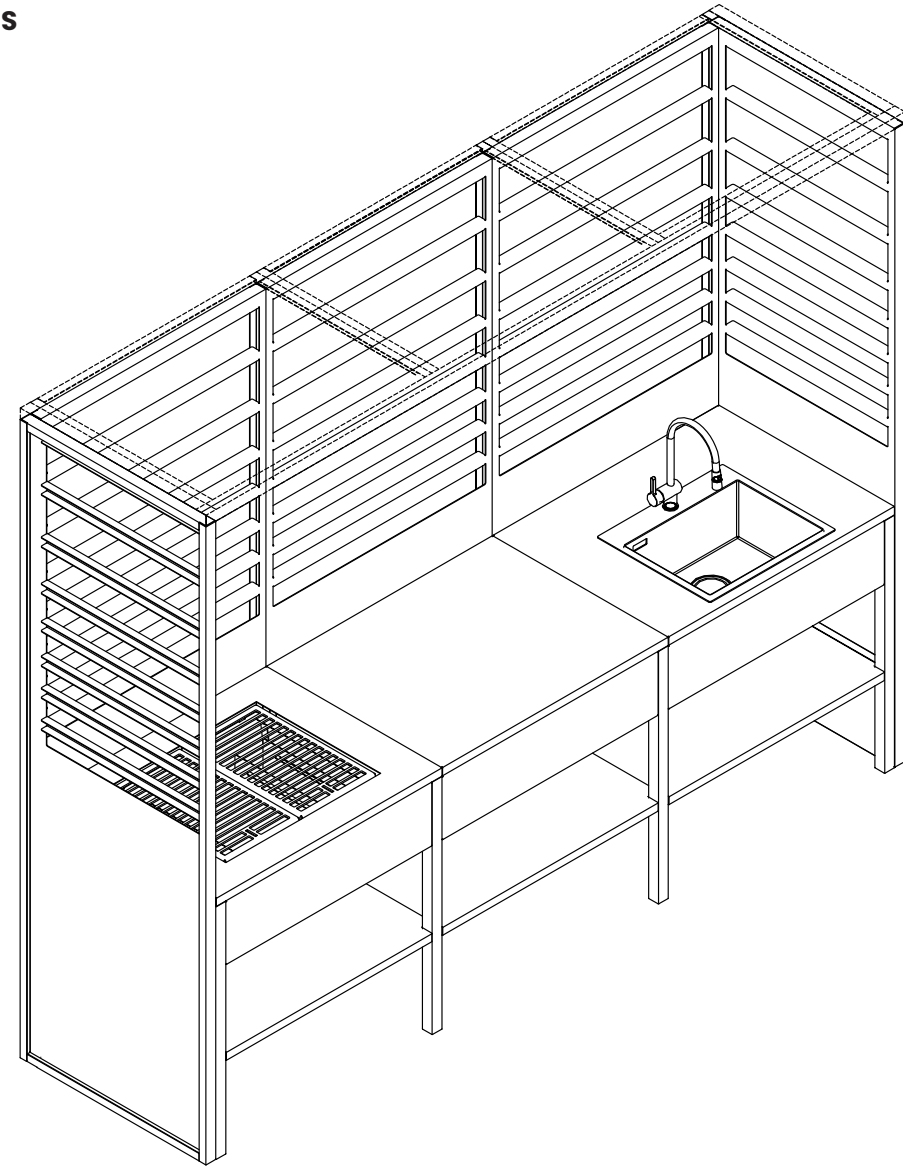


460-S-003

dimensions **90x70 cm**
 height **90 cm**
 weight **30 kg**

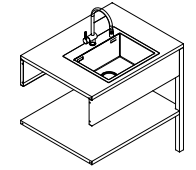


KITCHEN EXAMPLES



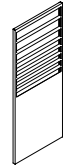
460-S-002

dimensions **90x70 cm**
 height **90 cm**
 weight **30 kg**



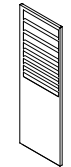
460-S-009

length **90 cm**
 height **220 cm**
 weight **20 kg**



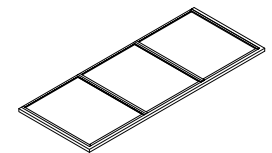
460-S-0012

length **74 cm**
 height **220 cm**
 weight **17 kg**



460-S-018

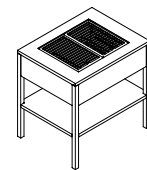
dimensions **270x70 cm**
 weight **25 kg**



MODULE USED

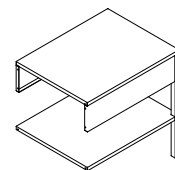
460-S-001

dimensions **90x70 cm**
 height **90 cm**
 weight **33 kg**

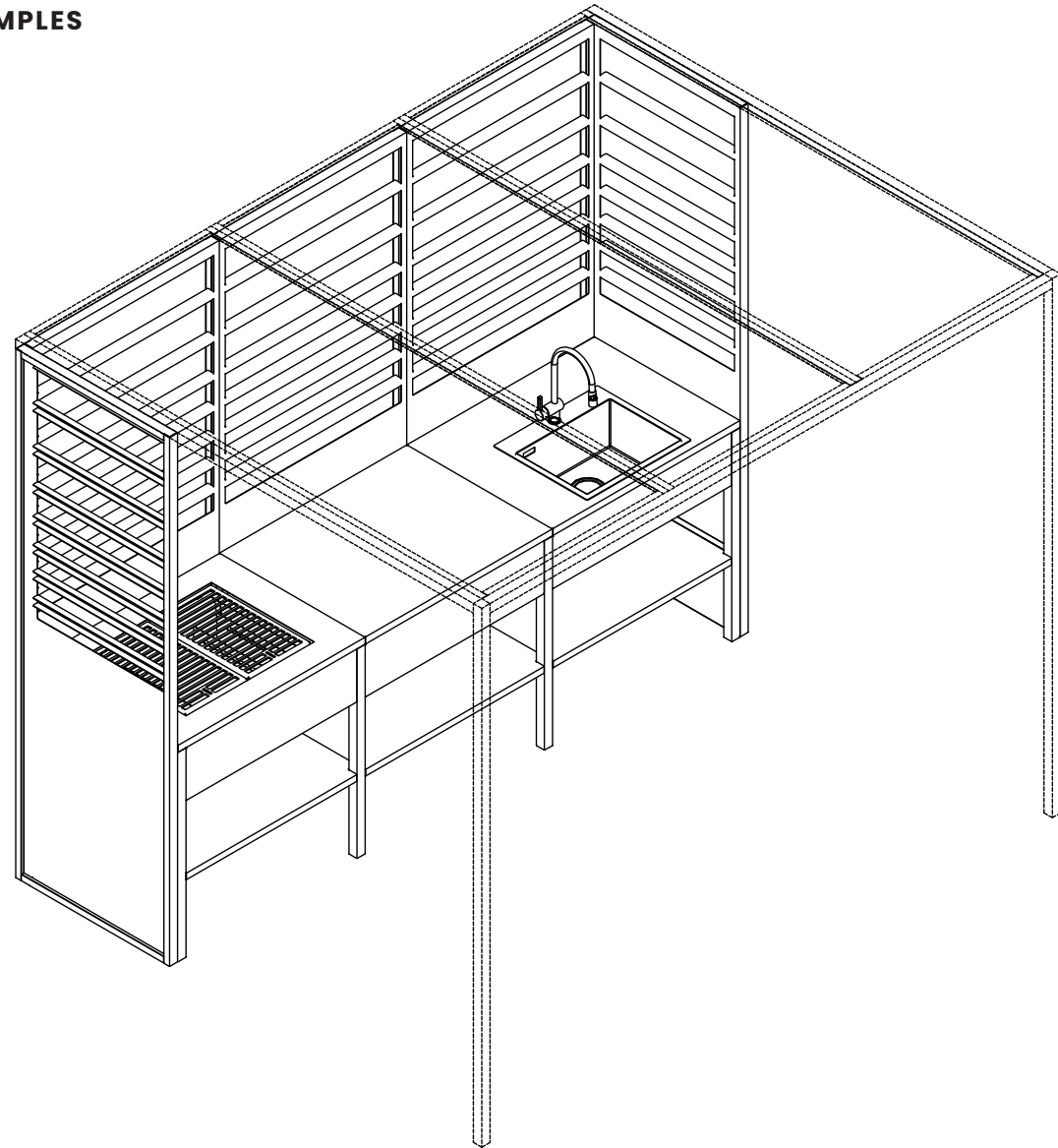


460-S-003

dimensions **90x70 cm**
 height **90 cm**
 weight **30 kg**

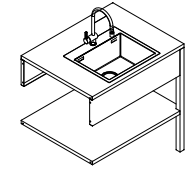


KITCHEN EXAMPLES



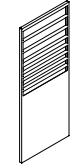
460-S-002

dimensions **90x70 cm**
 height **90 cm**
 weight **30 kg**



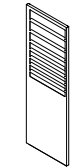
460-S-009

length **90 cm**
 height **220 cm**
 weight **20 kg**



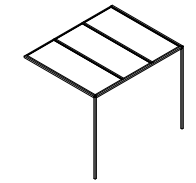
460-S-0012

length **74 cm**
 height **220 cm**
 weight **17 kg**



460-S-019

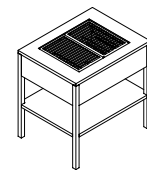
dimensions **270x200 cm**
 height **220 cm**
 weight **70 kg**



MODULE USED

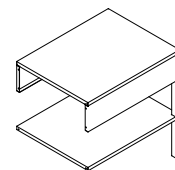
460-S-001

dimensions **90x70 cm**
 height **90 cm**
 weight **33 kg**

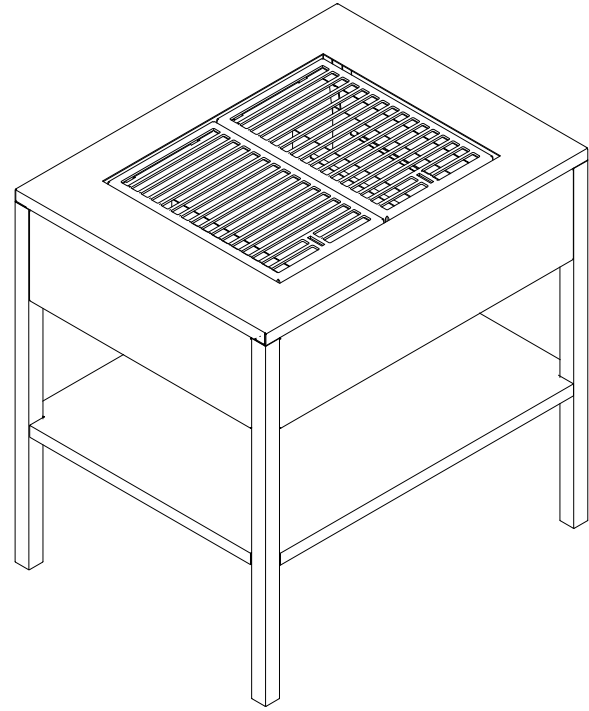


460-S-003

dimensions **90x70 cm**
 height **90 cm**
 weight **30 kg**

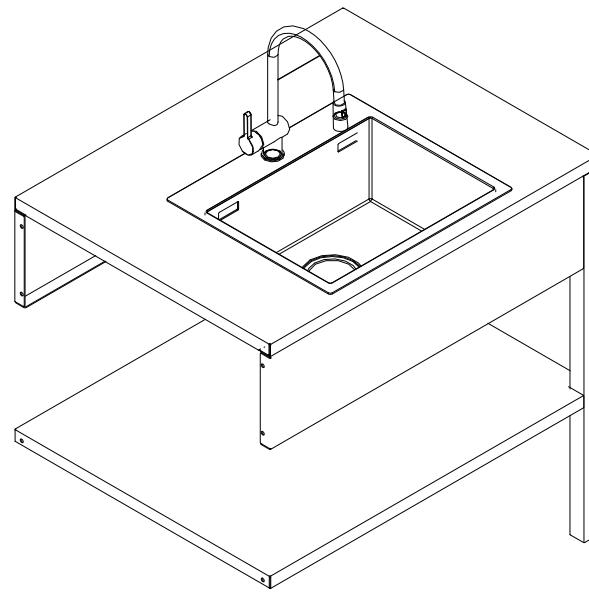


KITCHEN MODULES



460-S-001 grill module

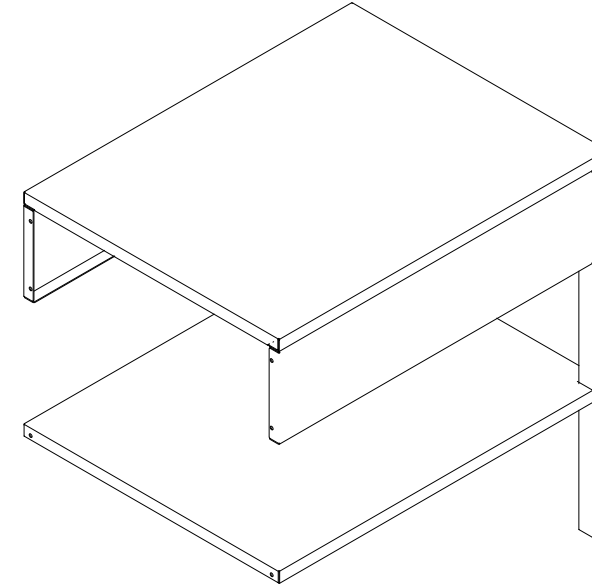
dimensions	90x70 cm
height	90 cm
weight	33 kg
included	grill



460-S-002 sink module

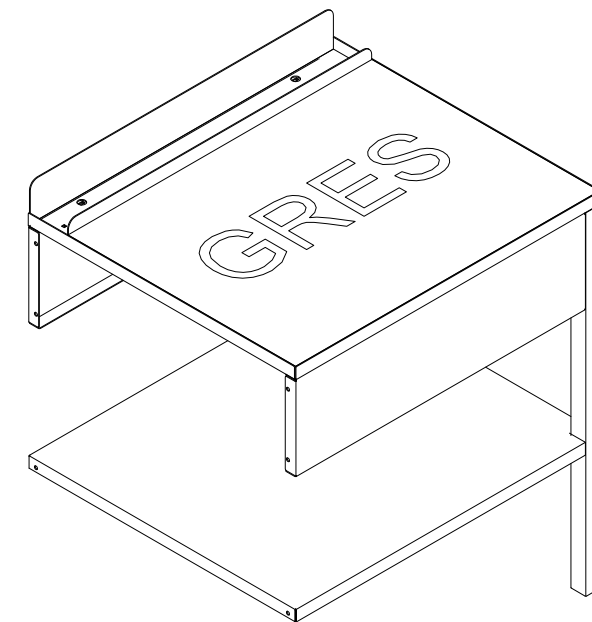
dimensions	90x70 cm
height	90 cm
weight	30 kg
included	sink
optional	faucet

KITCHEN MODULES



460-S-003 top module

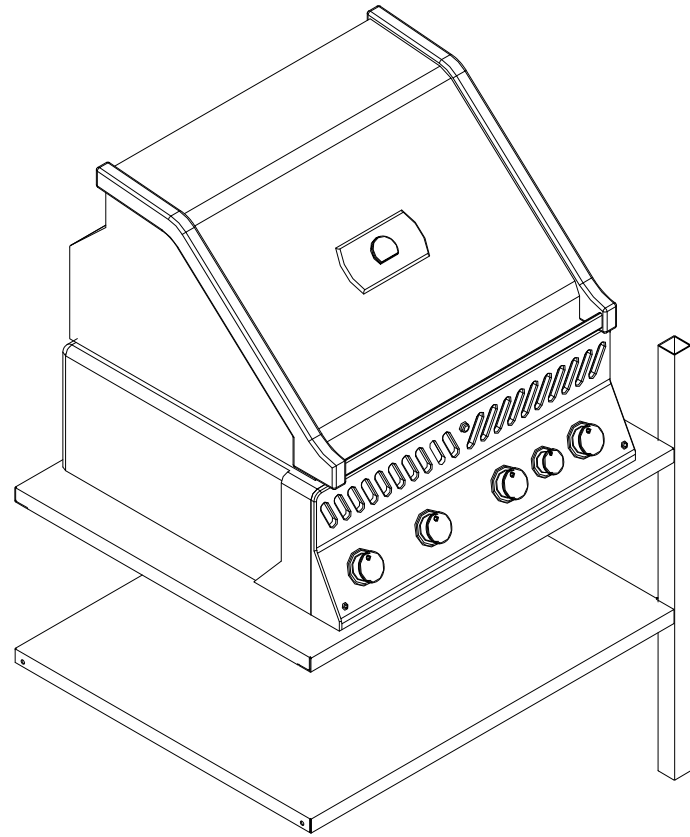
dimensions	90x70 cm
height	90 cm
weight	30 kg



460-S-004 gres module

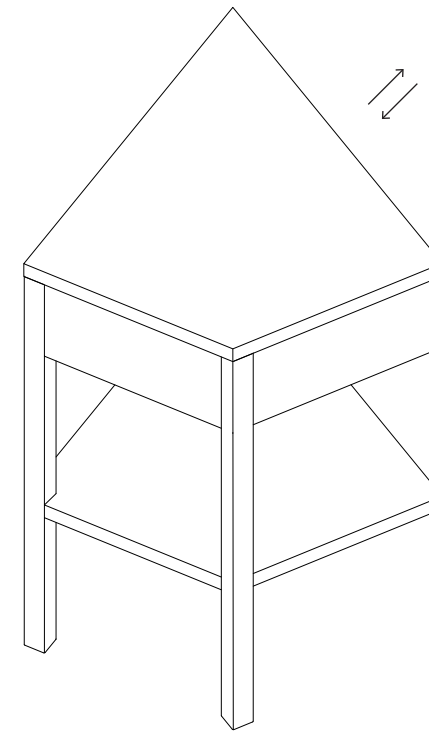
dimensions	90x70 cm
height	90 cm
weight	55 kg
included	gres

KITCHEN MODULES

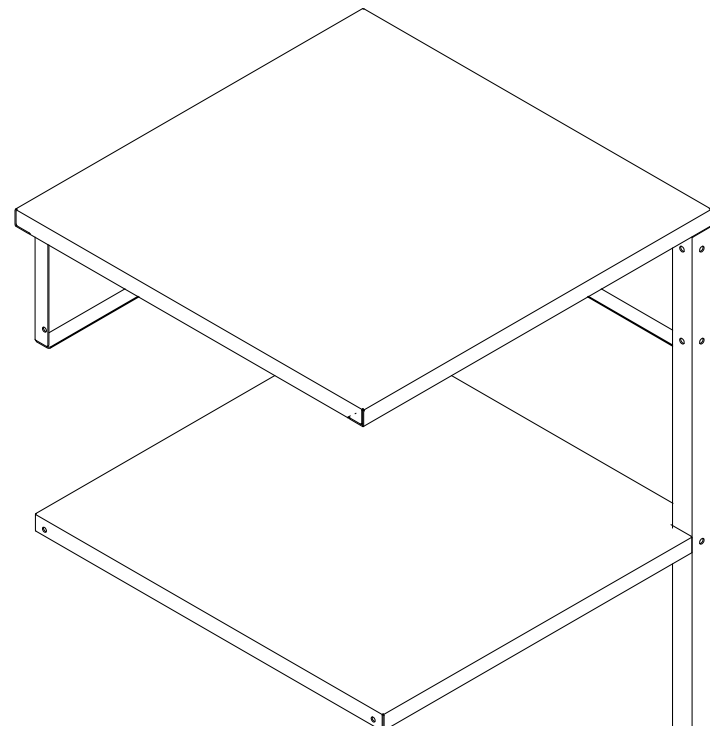


460-S-005		barbecue module
dimensions		90x70 cm
height		90 cm
weight		20 kg
optional		barbecue

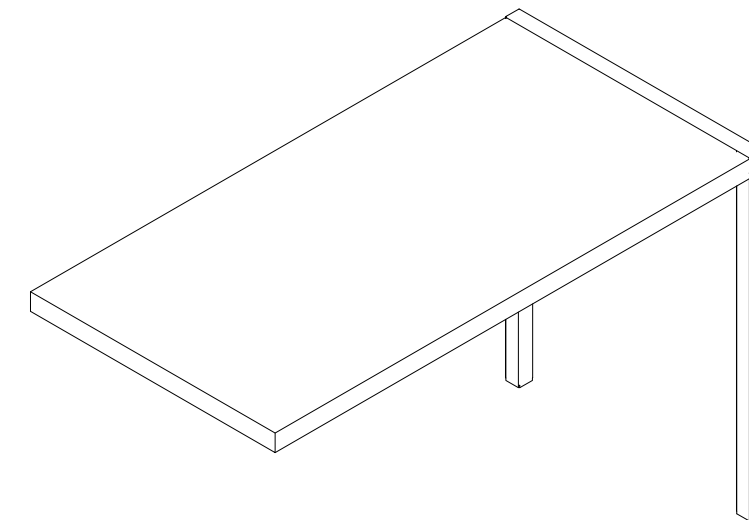
KITCHEN MODULES



460-S-007		custom corner module
dimensions		customxcustom cm
height		90 cm
weight		30 kg

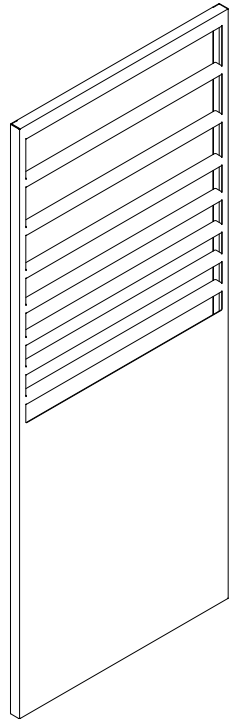


460-S-006		corner module
dimensions		90x70 cm
height		90 cm
weight		30 kg



460-S-008		table module
dimensions		140x70 cm
height		90 cm
weight		25 kg

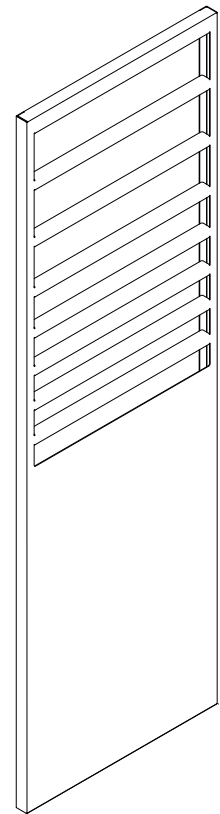
KITCHEN MODULES



460-S-009

frangi90 module

length	90 cm
height	220 cm
weight	20 kg

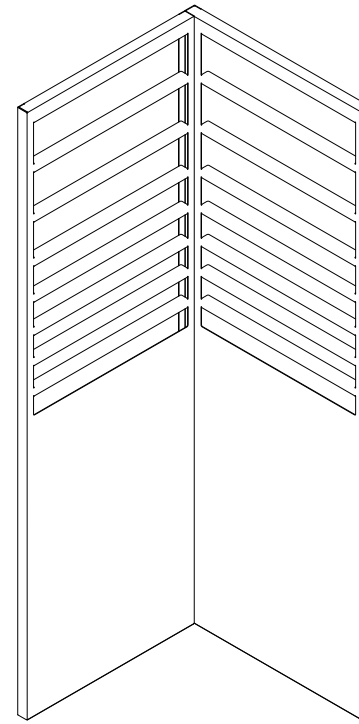


460-S-010

frangi70 module

length	70 cm
height	220 cm
weight	16 kg

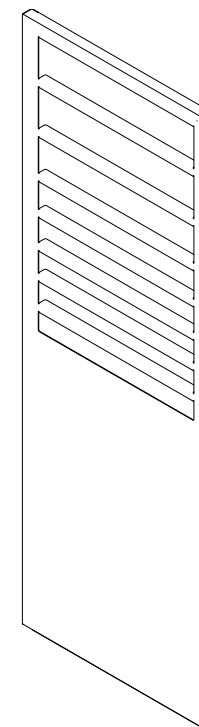
KITCHEN MODULES



460-S-011

frangi corner module

dimensions	70x74 cm
height	220 cm
weight	40 kg

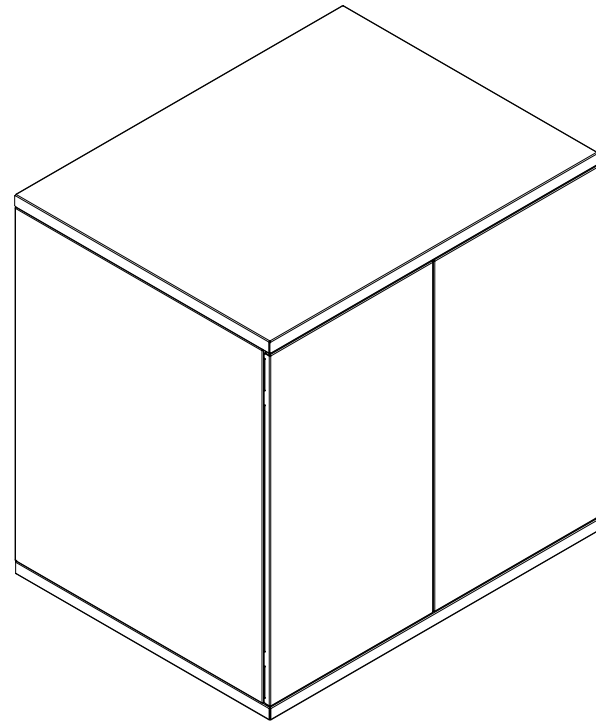


460-S-012

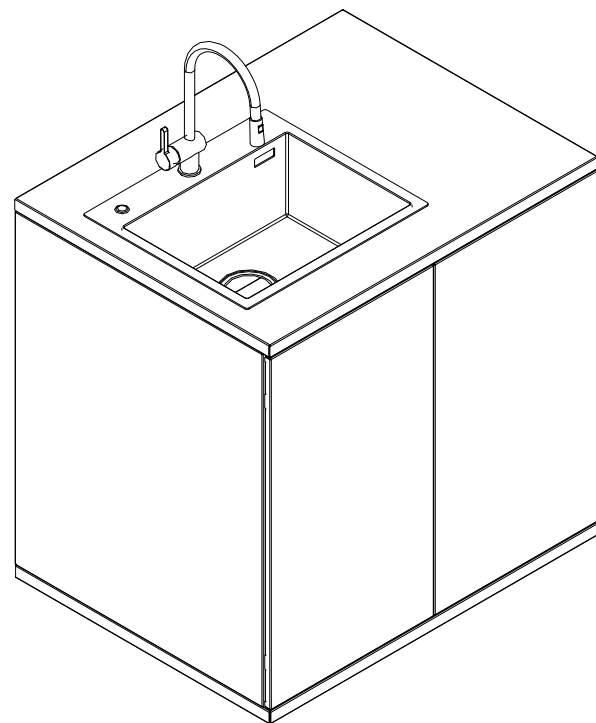
frangi linear corner module

length	74 cm
height	220 cm
weight	17 kg

KITCHEN MODULES

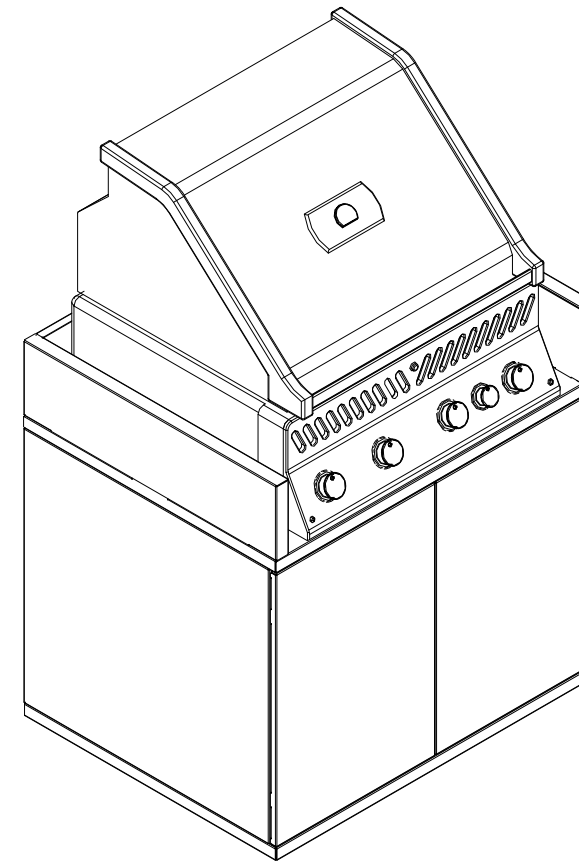


460-S-013	closed module	
dimensions	90x70 cm	
height	90 cm	
weight	62 kg	

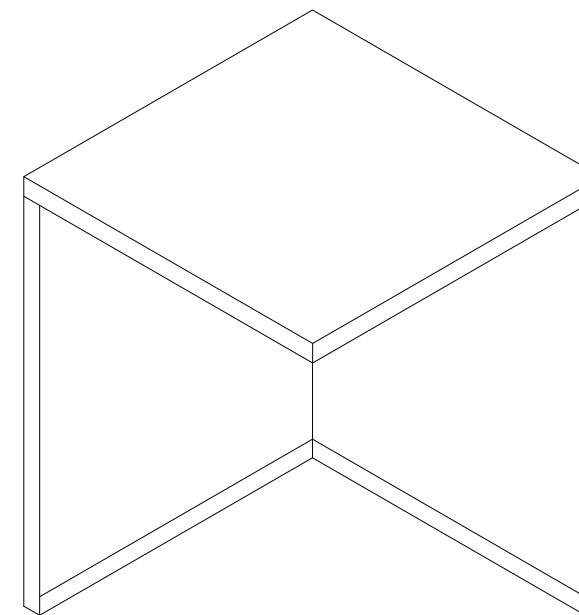


460-S-014	closed sink module	
dimensions	90x70 cm	
height	90 cm	
weight	62 kg	
included	sink	
optional	faucet	

KITCHEN MODULES

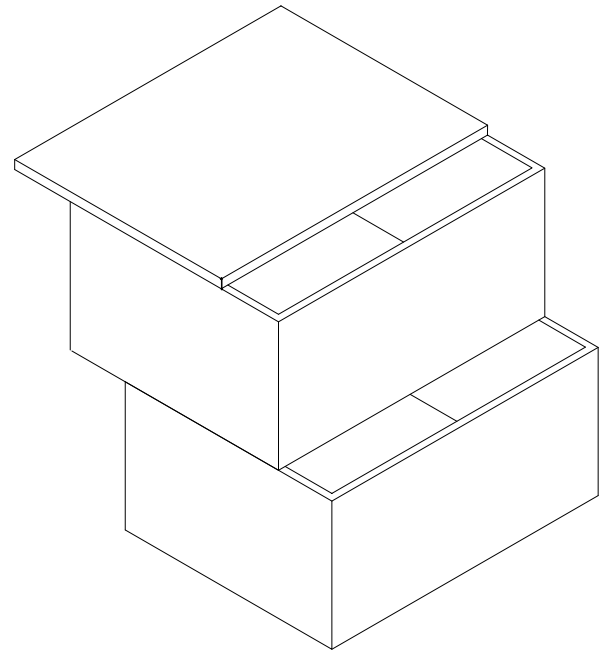


460-S-015	closed grill module	
dimensions	90x70 cm	
height	90 cm	
weight	30 kg	
optional	barbecue	



460-S-016	closed corner module	
dimensions	70x70 cm	
height	90 cm	
weight	40 kg	

KITCHEN MODULES



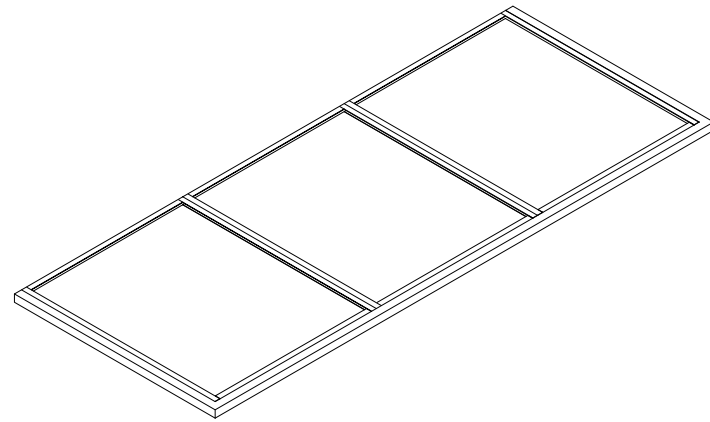
460-S-017

drawer module

dimensions **70x70 cm**

height **90 cm**

weight **55 kg**



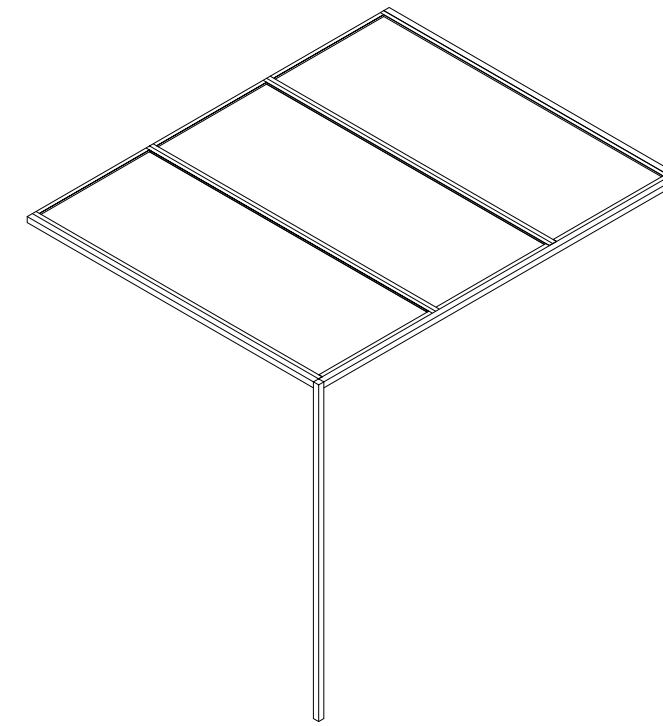
460-S-018

coverage module

dimensions **270x70 cm**

weight **25 kg**

KITCHEN MODULES



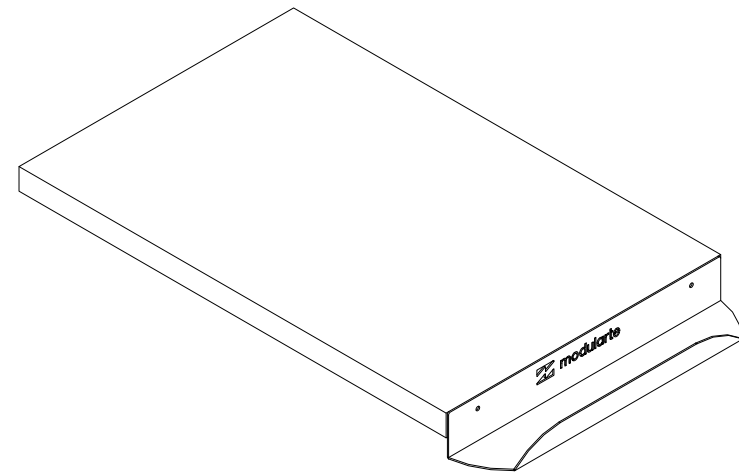
460-S-019

pergola module

dimensions **270x200 cm**

height **220 cm**

weight **70 kg**



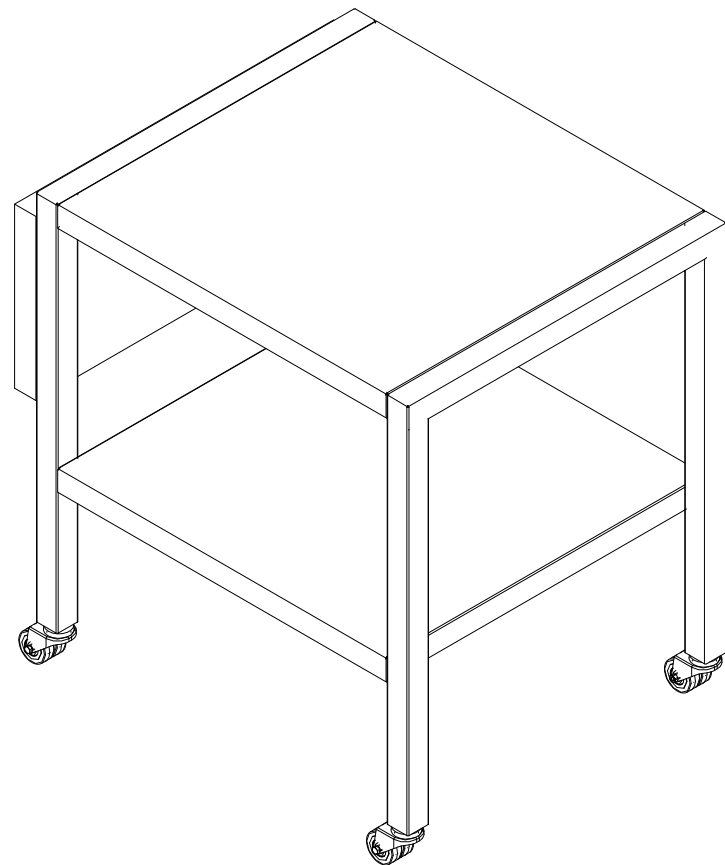
460-S-020

chopping board

dimensions 45x70 cm

height 3.5 cm

weight 3 kg



460-S-021

coffe table

dimensions 60x70 cm

height 70 cm

weight 25 kg



NAMUR



MATTONE



GRIS FONCE



POMICE



LIMO



OPAL CARVED

Characteristics and properties of porcelain stoneware	Standards	According to the rules UNI EN 14411 G			Compliance		
Surface Quality	ISO 10545-2	95% Min of the tiles must be free from visible defects			Compliant with standards		
Maximum deviation straightness in%	ISO 10545-2	N ≥ 15 cm ± 0,5 %	N ≥ 15 cm ± 1,5 mm	Risultati Test ± 0,10 %	Compliant with standards		
Permissible deviation in% of the average thickness of each tile from the manufacturing size	ISO 10545-2	± 0,5 %	± 0,5 mm	± 5 %	Compliant with standards		
Maximum deviation of orthogonality in%	ISO 10545-2	± 0,5 %	± 2,0 mm	± 0,20 %	Compliant with standards		
Planarity	ISO 10545-2	± 0,5 %	± 2,0 mm	± 0,35 %	Compliant with standards		
Length and width	ISO 10545-2	± 0,6 %	± 2,0 mm	± 0,15 %	Compliant with standards		
Water absorption	ISO 10545-3	≤ 0,5 %			E < = 0,04 %		
Flexural strength	ISO 10545-4	R ≥ 35 N/mm ²			53 N/mm ²		
Impact resistance	ISO 10545-5	Declared value			0,88		
Deep abrasion resistance	ISO 10545-6	≤ 175 mm ³			<1 28 mm ³		
Coeff. of dilation Linear thermal	ISO 10545-8	-			α = 7x10 ⁻⁶ /°C ⁻¹		
Resistance to thermal shocks	ISO 10545-9	Test passed according to EN ISO 10545-1			No damage		
Frost resistance	ISO 10545-12	Test passed according to EN ISO 10545-1			No damage		
Resistance to chemicals	ISO 10545-13	UB MIN.			UA ULA UHA		
Stain resistance	ISO 10545-14	Declared value			Class 5		
Fire resistant	EN 13501-1	Declared value			Class A1 - A1 FL		
Slip resistance	B.C.R. C.A. B.C.R. G.B D. M. 236 DEL 4.6 1989	> 0,40			NAT Compliant	GRIP Compliant	* Compliant
	ASTM C 1028/07 BOT 3000	Dry SCOF > 0,60			Compliant	Compliant	Compliant
	ASTM C 1028/07 BOT 3000	Wet SCOF > 0,60			Compliant	Compliant	Compliant
	ANSI A137.1 BOT 3000	Wet DCOF > 0,42			Compliant	Compliant	Compliant
	DIN 51130	-			R10	R11	R11
	DIN 51097	-			A	A+B+C	A+B+C
	ENV 12633	≥ CL 1			Compliant	Compliant	Compliant
UNI EN 13036 - 4 2011	≥ 36			Compliant	Compliant	Compliant	
Color stability to light and U.V.	DIN 51094	Declared value			Compliant with standards, no variations		
Static load	EN 12825	Declared value			Center 9,6 KN / Center side 6,5 KN / Diagonal 8,19 KN (Class 3)		
Dynamic load, hard body impact test	EN 12825	Declared value			Failed test		
Dynamic load, soft body impact test	EN 12825	Declared value			Failed test		
Flexural strength, breaking load in N	EN 1339	Kn 14,38			Class U14		
Breaking load in MPA	EN 1339	-			MPA 46,5		

MATERIALS



STAINLESS STEEL



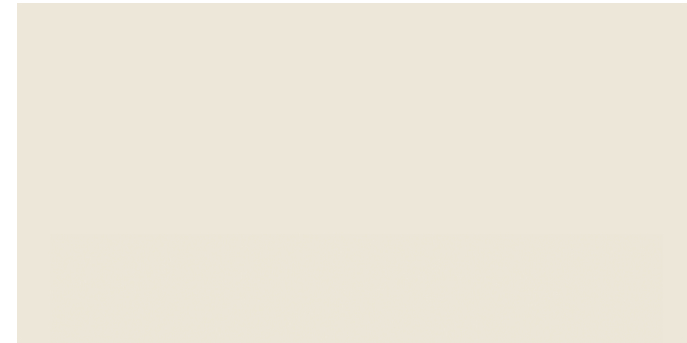
ALUMINUM



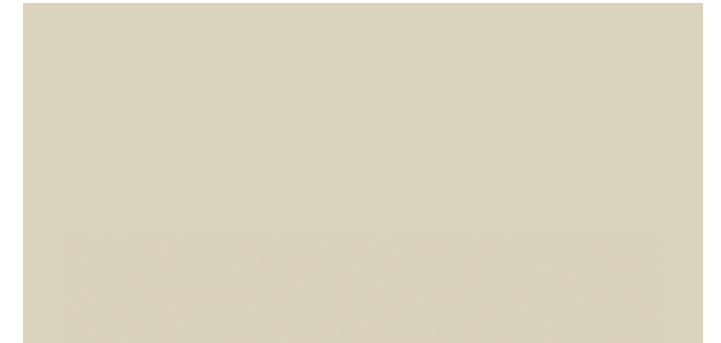
CORTEN

COLORS

! all colors are included for kitchen - for bbq series just N1 and corten are included.



WHITE - B1



IVORY - B2



DARK BROWN - M3



BLACK - N1



LIGHT GREY - G1



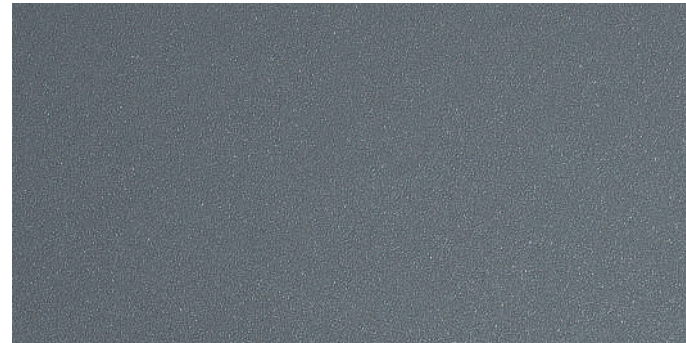
GREY - G4

COLORS

! all colors are included for kitchen - for bbq series just N1 and corten are included.



TAUPE - M1



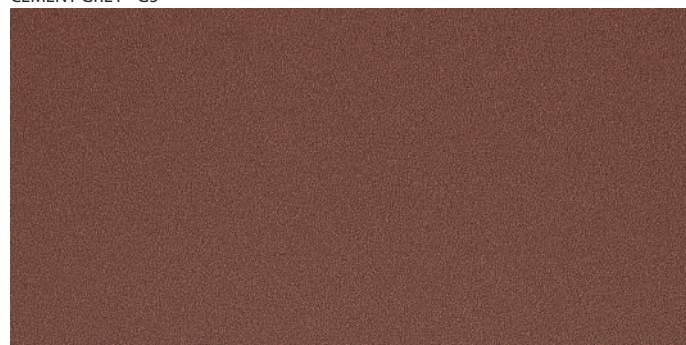
LIGHT GREY - G2



CEMENT GREY - G5



DARK GREY - G3



RUST - M2



DARK BROWN M4

Modularte Srl

modularte.it

Via Tabacchi, 125
41123 Modena, MO, Italy.
info@modularte.it
info: +39 059 82 13 81
assistenza: +39 059 71 11 056